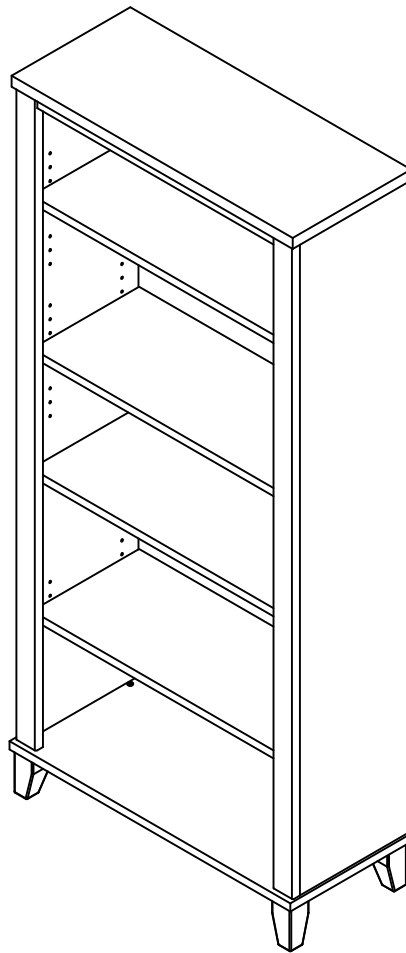


5 Shelf Bookcase



Lot Code #

Instruction Sheet Number A177506I

Keep manual for future reference.

Get Ready to Assemble

For best results, keep these tips in mind:

- ① We know you want to finish this assembly as quickly as possible, but trust us: you'll have a better experience if you take it one step at a time.
- ② Give yourself some room to work near where you want the fully assembled product.
- ③ If your floor isn't carpeted, assemble this product on the empty carton to avoid scratching.
- ④ Do you have a friend who owes you a favor? Some steps may go a little easier with a second set of hands.

DOs

- ✔ Use a #2 Phillips head screwdriver (or other handheld tools as indicated)
- ✔ Wear safety glasses at all times during assembly
- ✔ Carefully follow the instructions in this guide and complete all steps in order
- ✔ Give us a call if you're having trouble with a particularly tricky step

DON'Ts

- ✘ We know power tools are quick and easy, but you shouldn't use them when assembling this product (unless otherwise specified)
- ✘ Never move your furniture with items inside or resting on the surface
- ✘ Do not attempt to use this product before all steps have been completed

IMPORTANT SAFETY INFORMATION



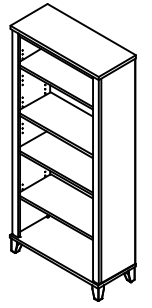
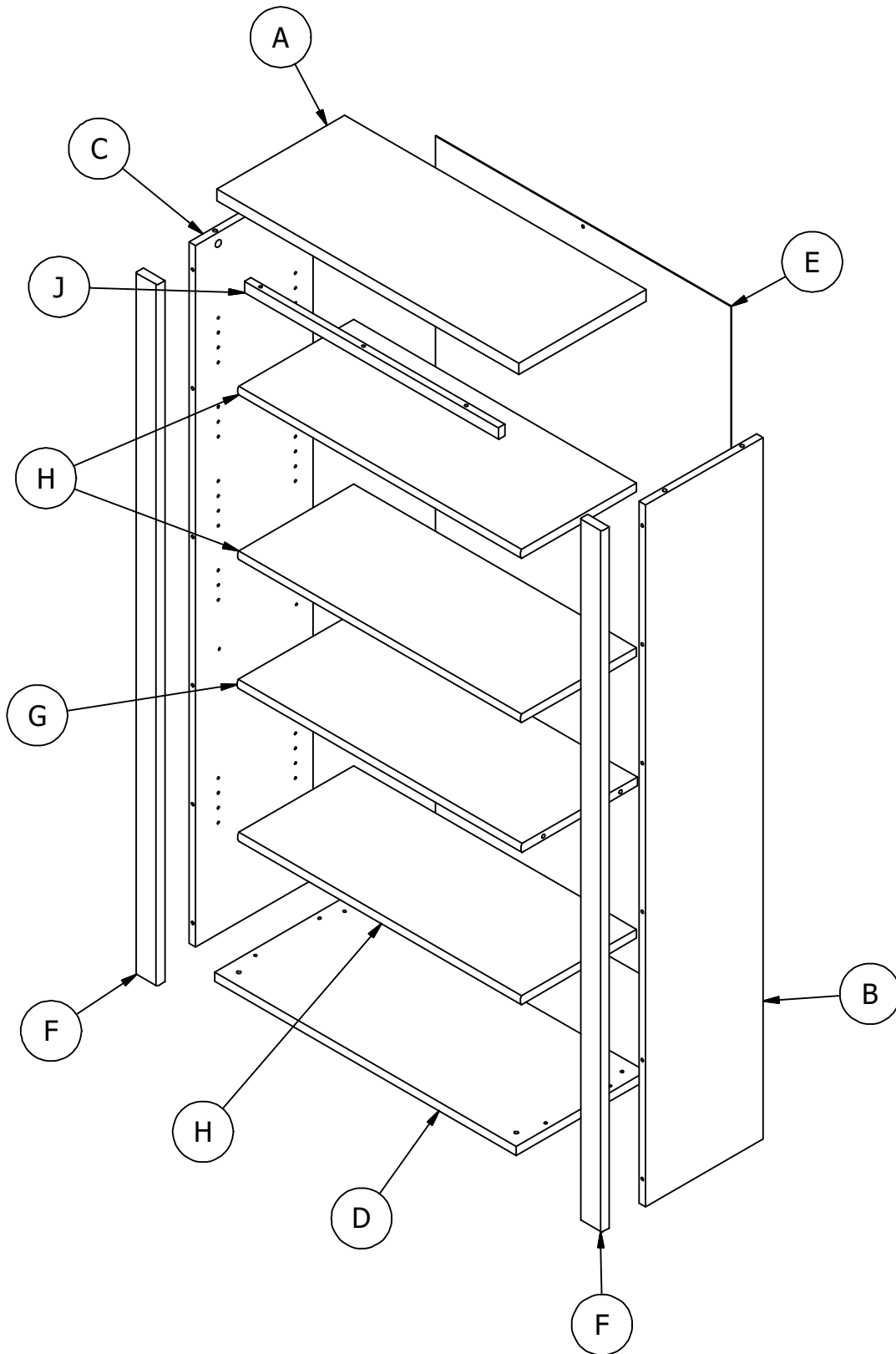
PLEASE READ WARNINGS

Improper use can cause safety hazards, or damage to your furniture and household items.

Warning	Do	Don't	Why it's important
Serious injury may occur.	<ul style="list-style-type: none">Assemble following all instructions using all indicated parts and hardware provided.Install tip-over restraint provided.Install every indicated nail and/or screw.Verify furniture is stable on it's own.Place heaviest items in the lower drawers or shelves.Remove items that might tempt kids to climb, such as toys and remote controls from the top and upper shelves of furniture.	<ul style="list-style-type: none">Do not move unit when loaded.Do not load with a television or other heavy equipment.Do not exceed the maximum load limits stated in the instructions.Do not allow children to stand, climb, or hang on furniture.	Improper assembly, use or loading can lead to product instability, tip-over or collapse.

Advertencia	Hacer	No	Por qué es importante
Se pueden producir lesiones graves.	<ul style="list-style-type: none">Ensamble siguiendo todas las instrucciones utilizando todas las piezas y ferretería indicados provistos.Instale la retracción de vuelco provista.Instale todos los clavos y / o tornillos indicados.Verifique que los muebles sean estables por sí mismos.Coloque los artículos más pesados en los cajones o estantes inferiores.Retire los artículos que puedan tentar a los niños a trepar, como juguetes y controles remotos de los estantes superiores y superiores de los muebles.	<ul style="list-style-type: none">No mueva la unidad cuando esté cargada.No cargue con un televisor u otro equipo pesado.No exceda los límites máximos de carga establecidos en las instrucciones.No permita que los niños se paren, trepen o cuelguen de muebles.	El ensamblaje, uso o carga inadecuados pueden provocar inestabilidad del producto, vuelco o colapso.

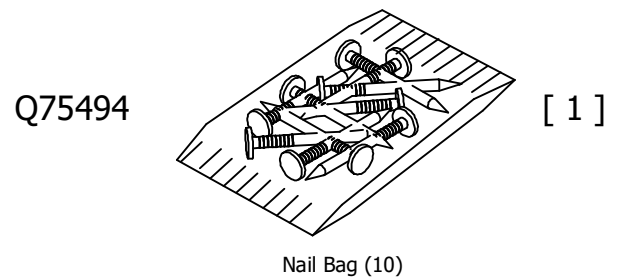
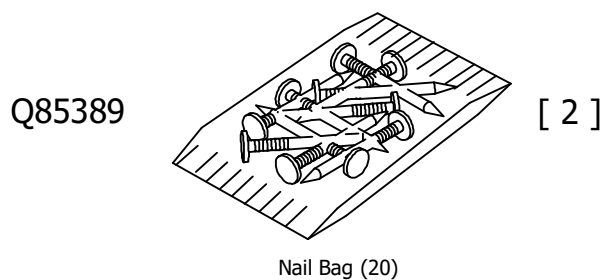
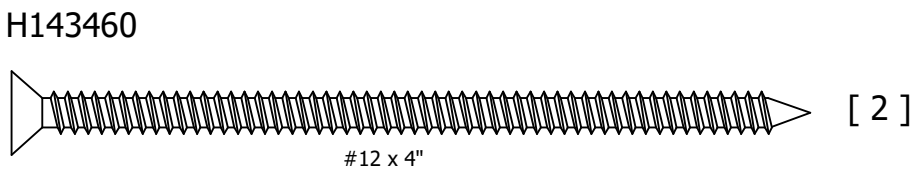
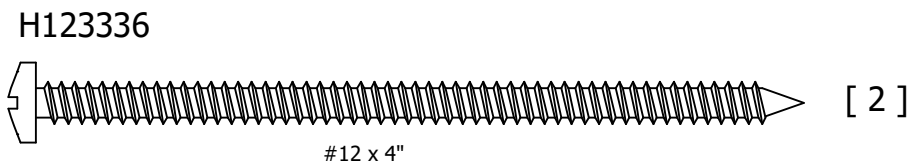
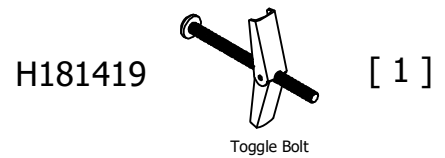
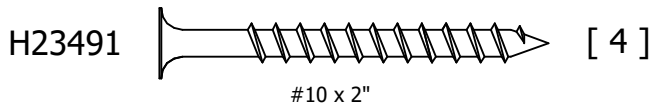
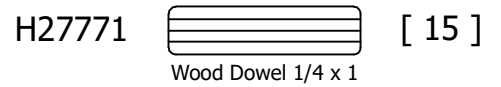
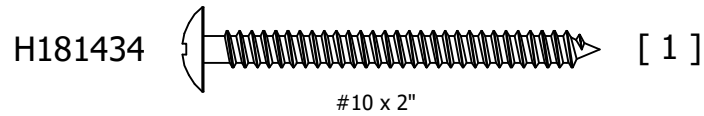
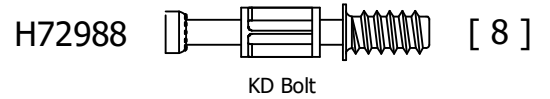
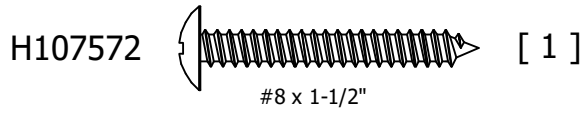
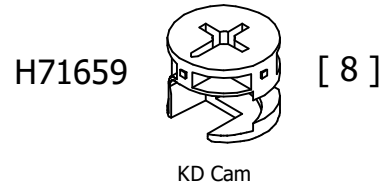
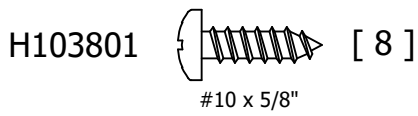
Get to know your Boards



Have an assembly question or need a replacement part? Just call
1-800-950-4782, we are here to help.

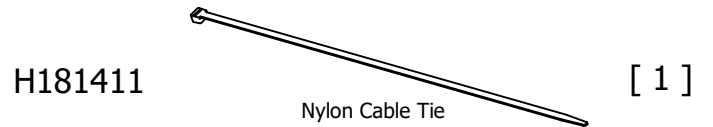
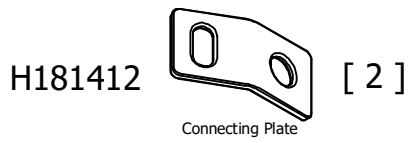
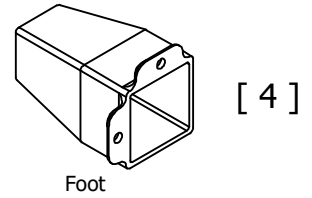
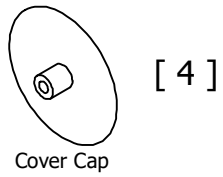
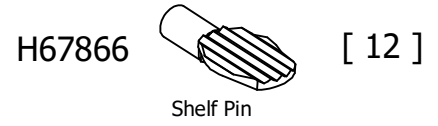
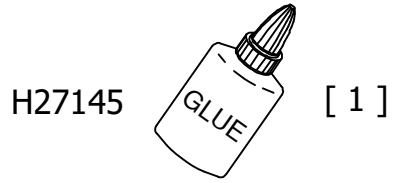
Get to know your Fasteners

Fasteners are shown actual size.




Get to know your Hardware

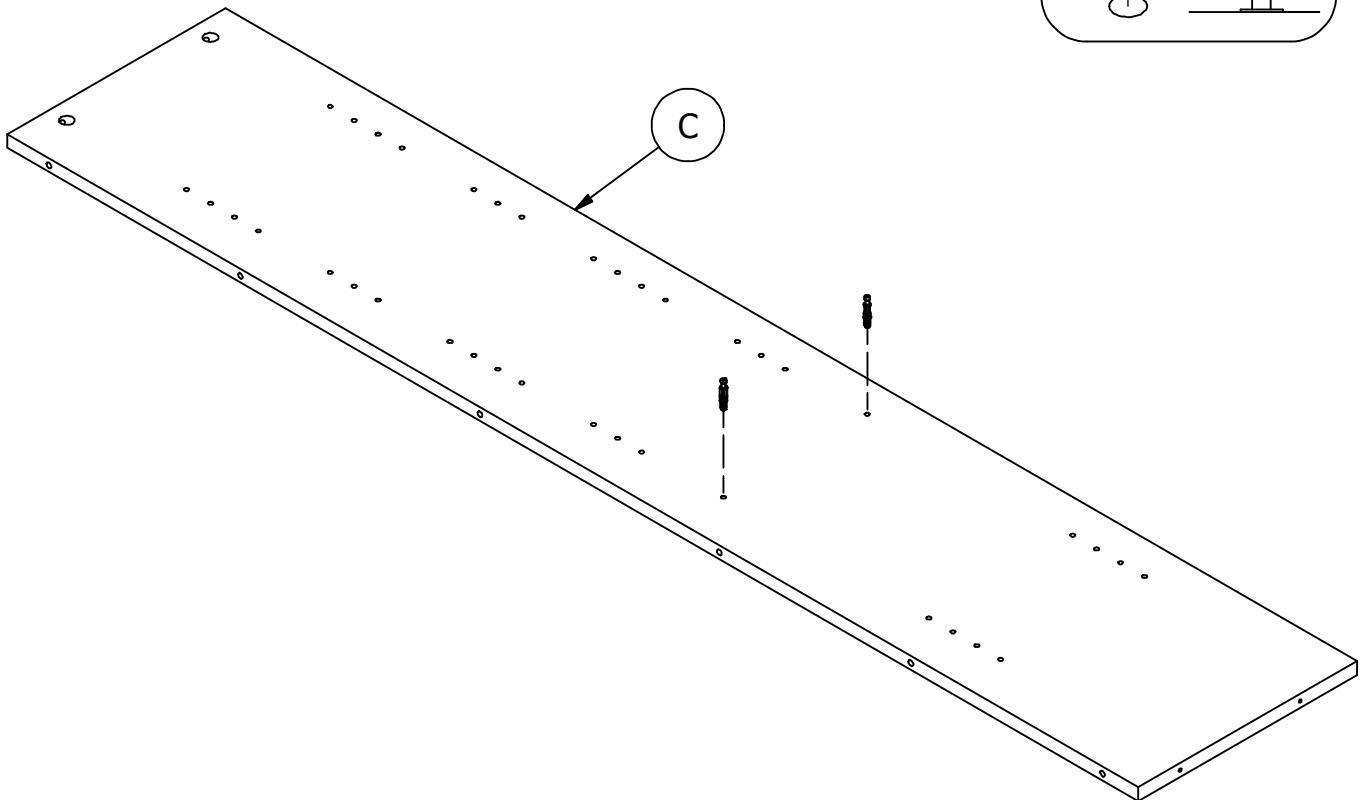
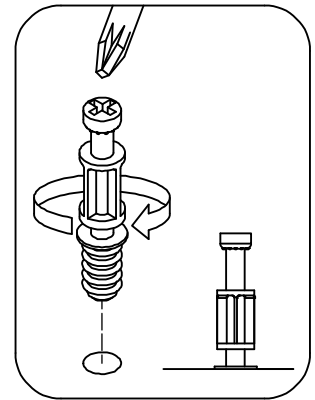
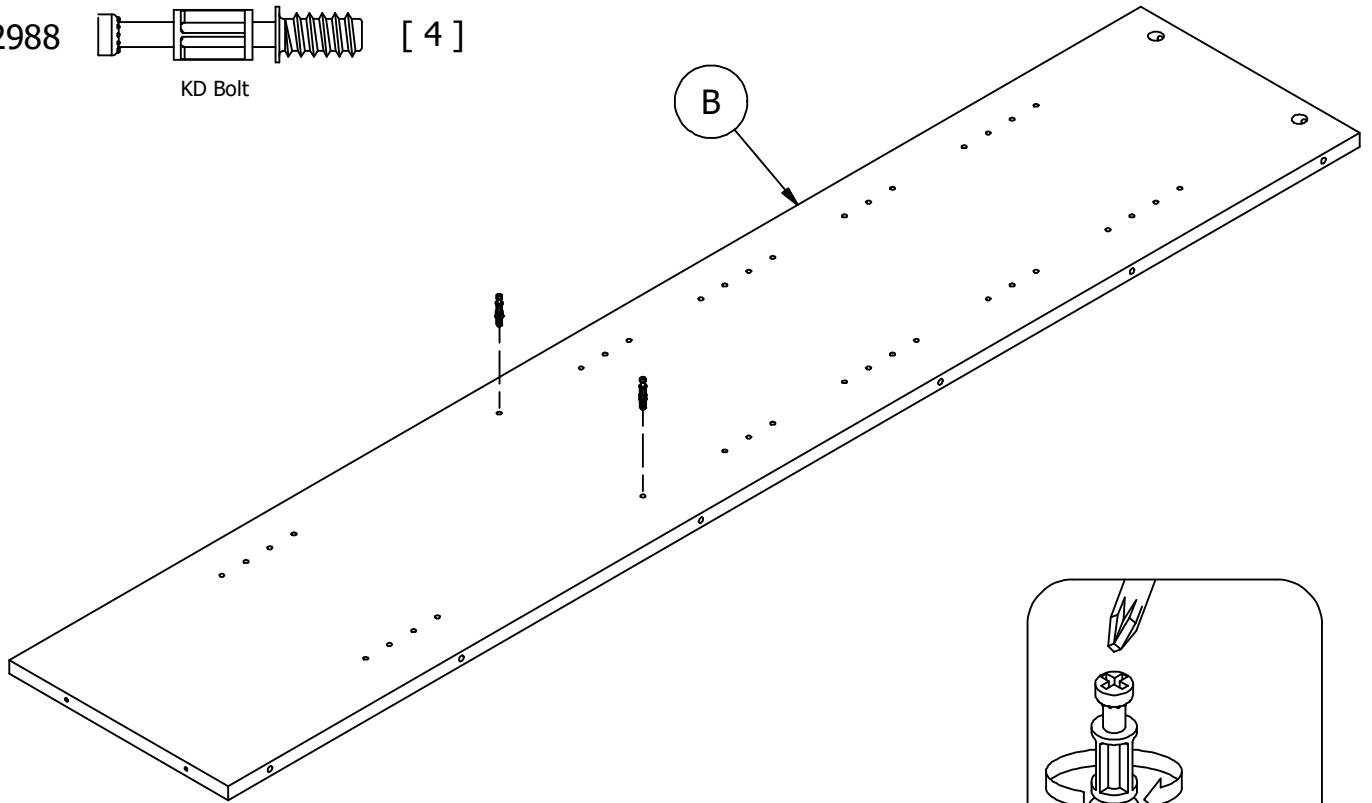
Hardware not to scale.



STEP 1

Prepare Panels

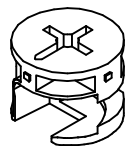
H72988  [4]
KD Bolt



STEP 2

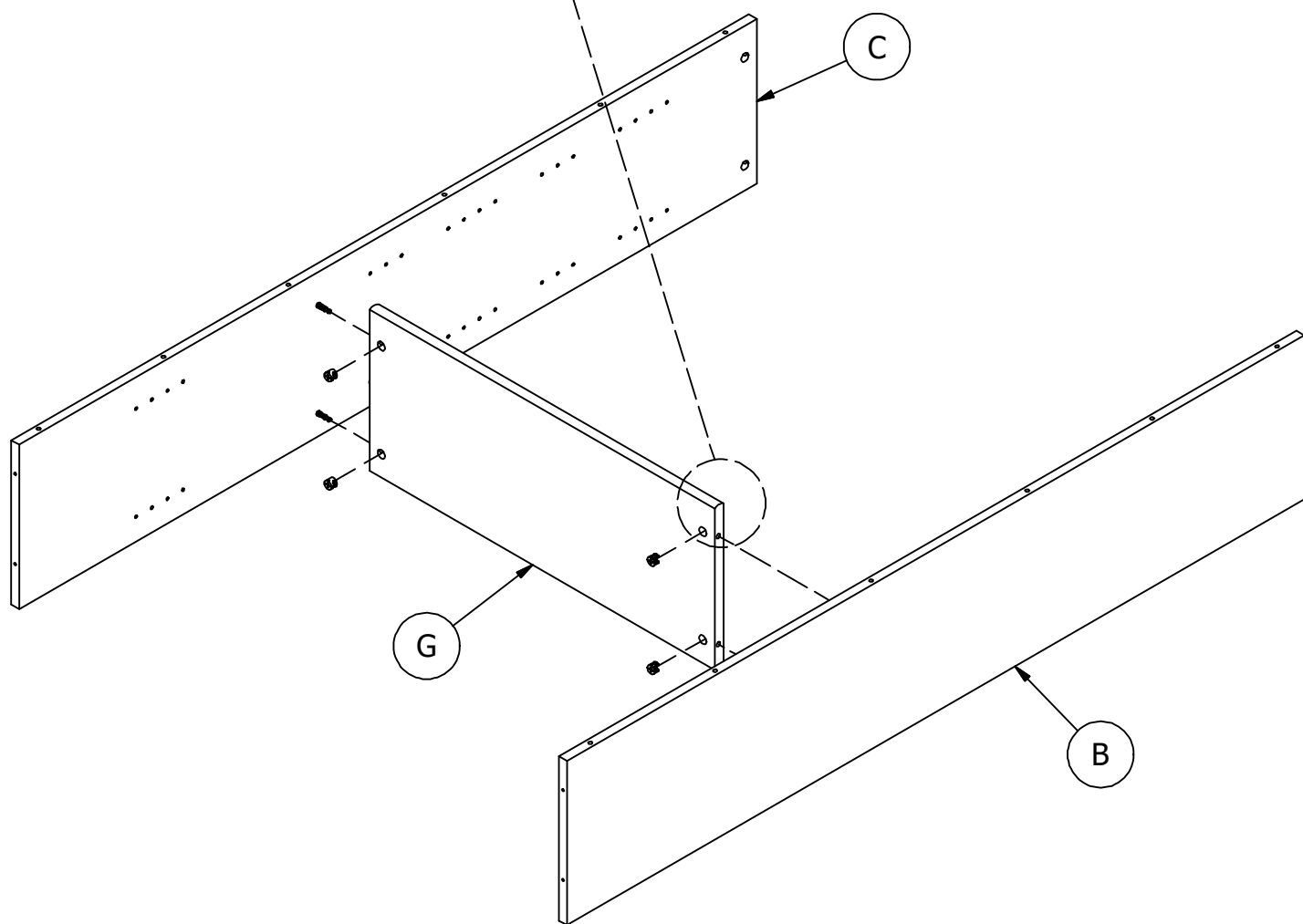
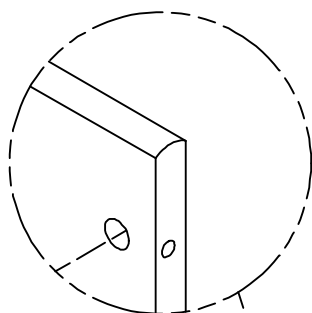
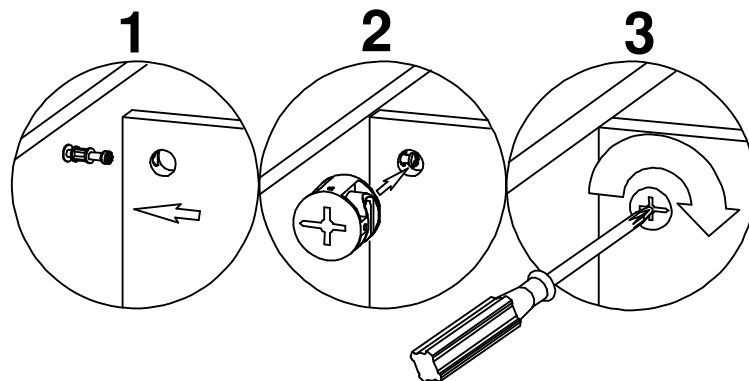
Assemble Shelf

H71659



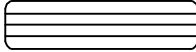
[4]

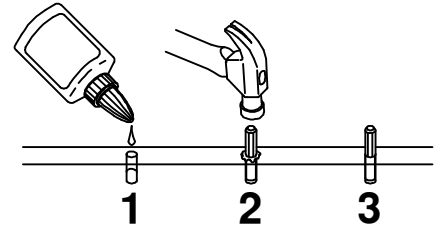
KD Cam



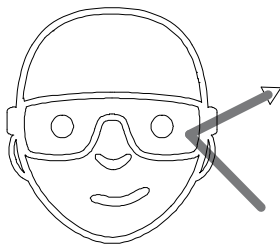
STEP 3

Prepare Top

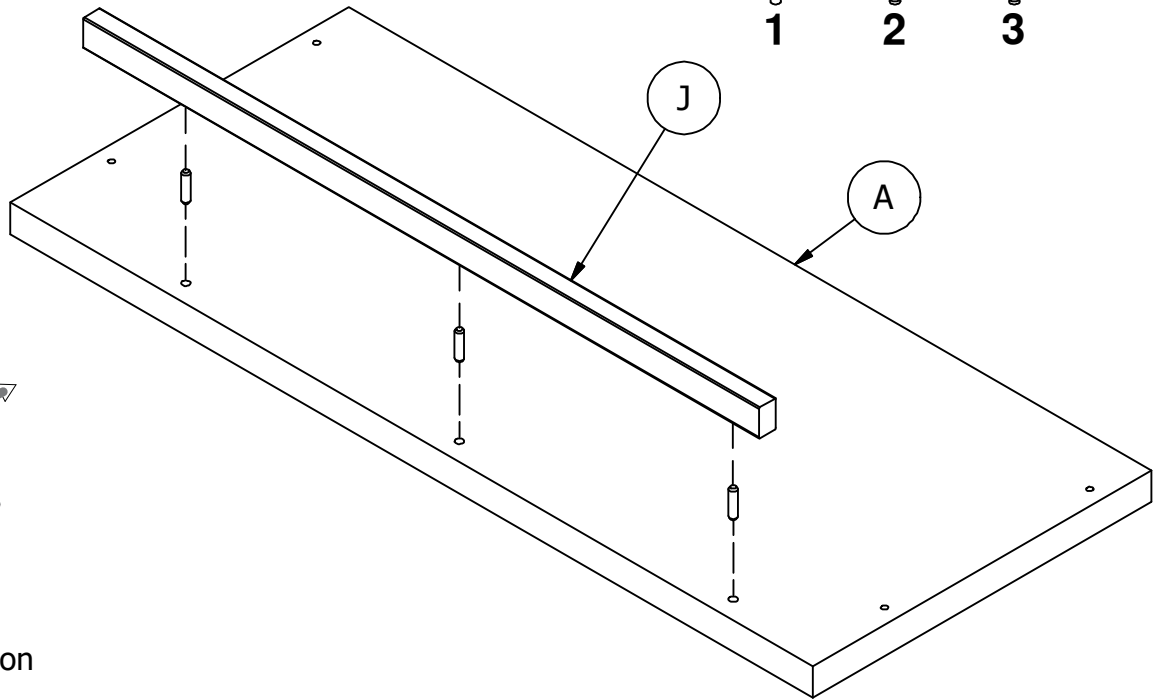
H27771  [3]
Wood Dowel 1/4 x 1




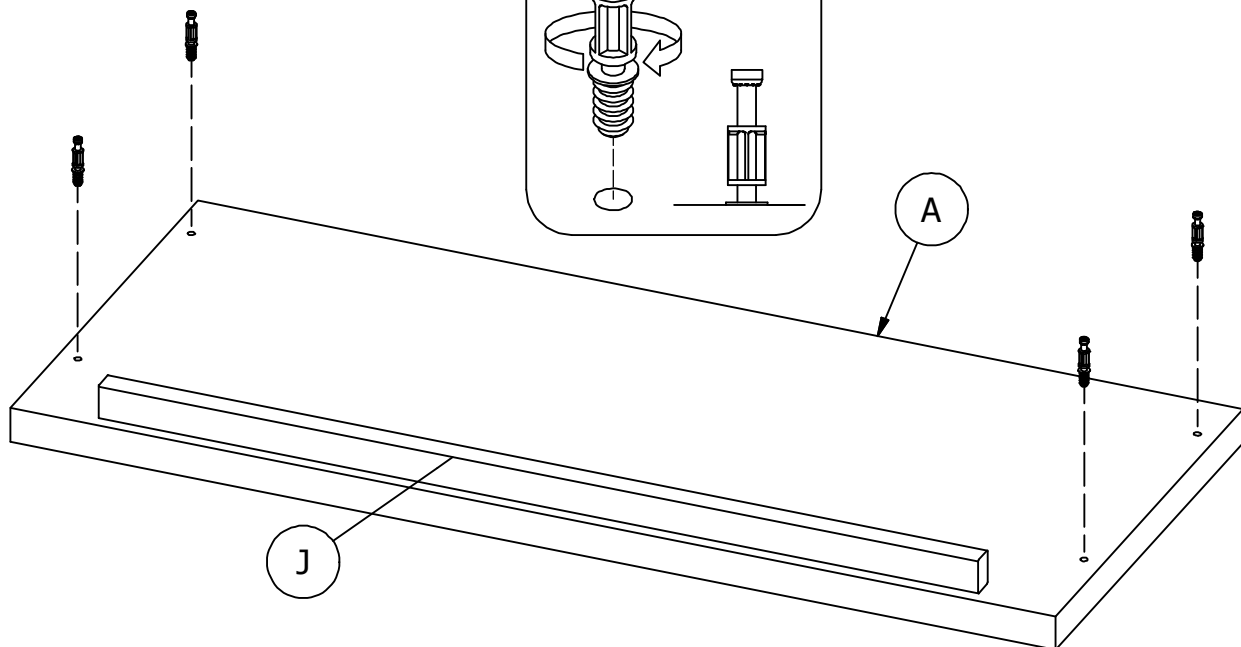
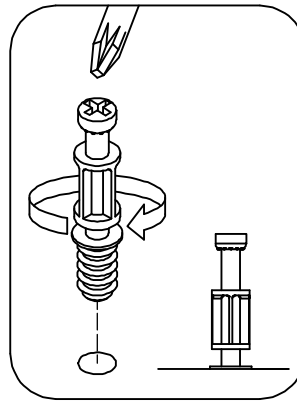
H27145



Safety glasses
Gafas de seguridad
Lunettes de protection

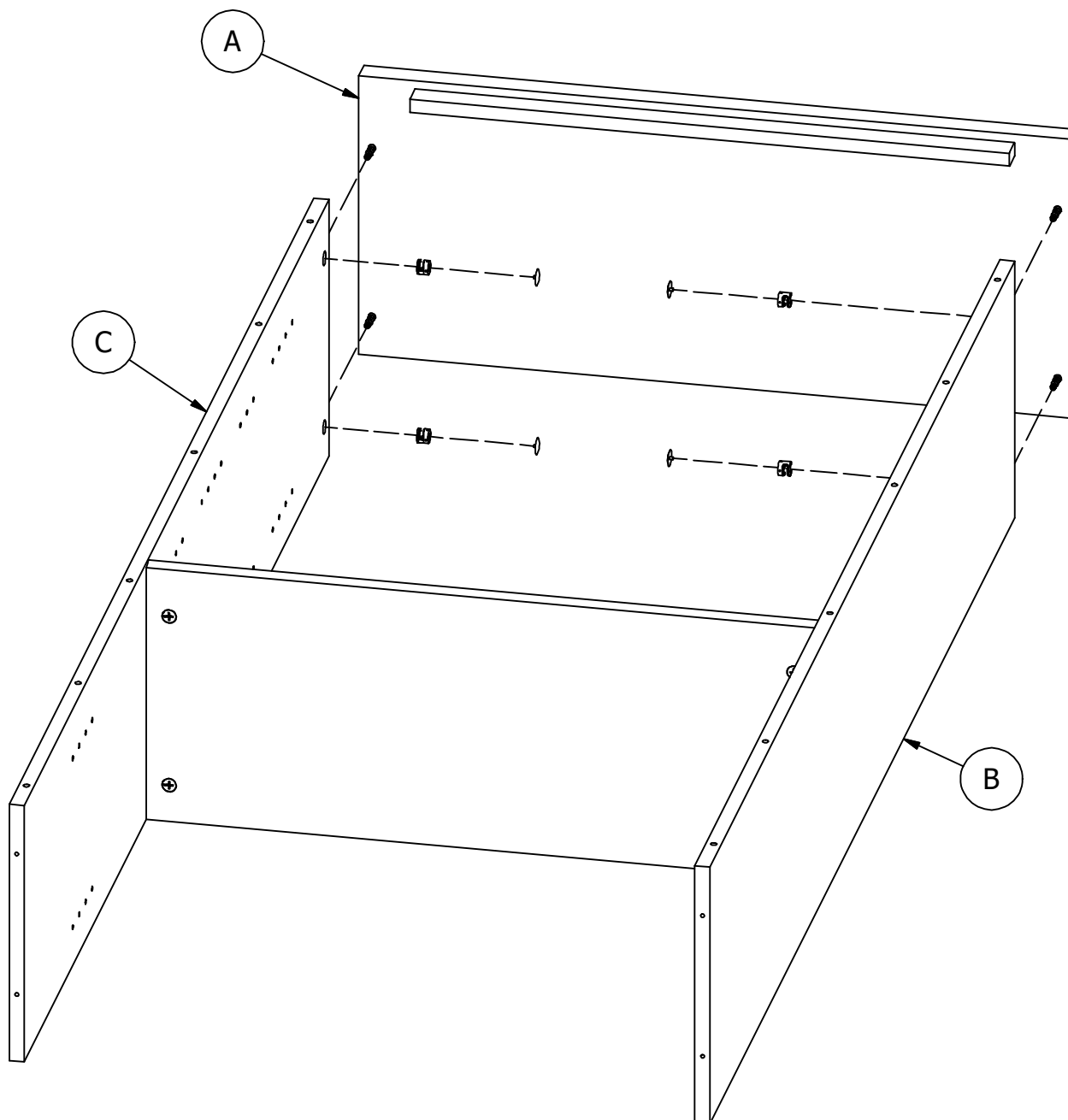
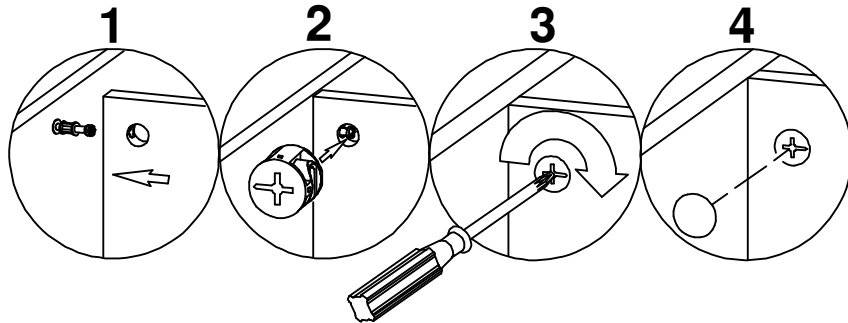
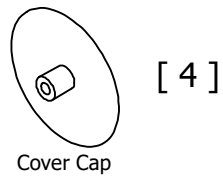
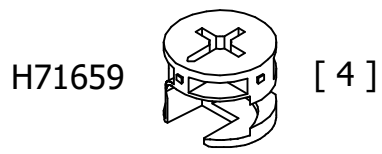


H72988  [4]
KD Bolt



STEP 4

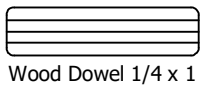
Attach Top



STEP 5

Prepare Rails

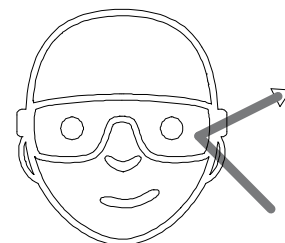
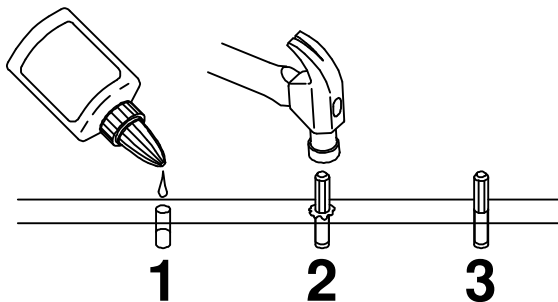
H27771



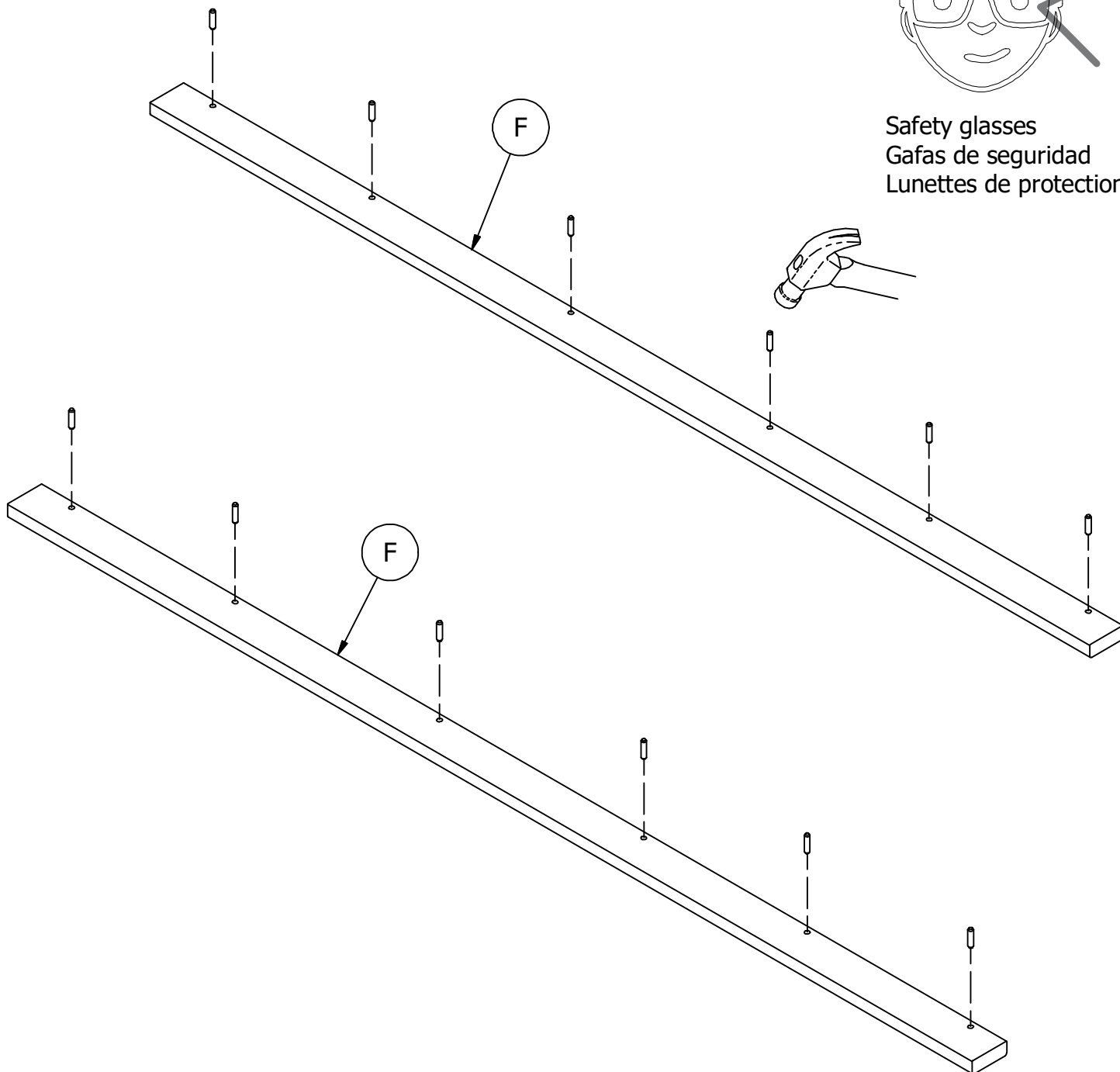
[12]

Wood Dowel 1/4 x 1

H27145



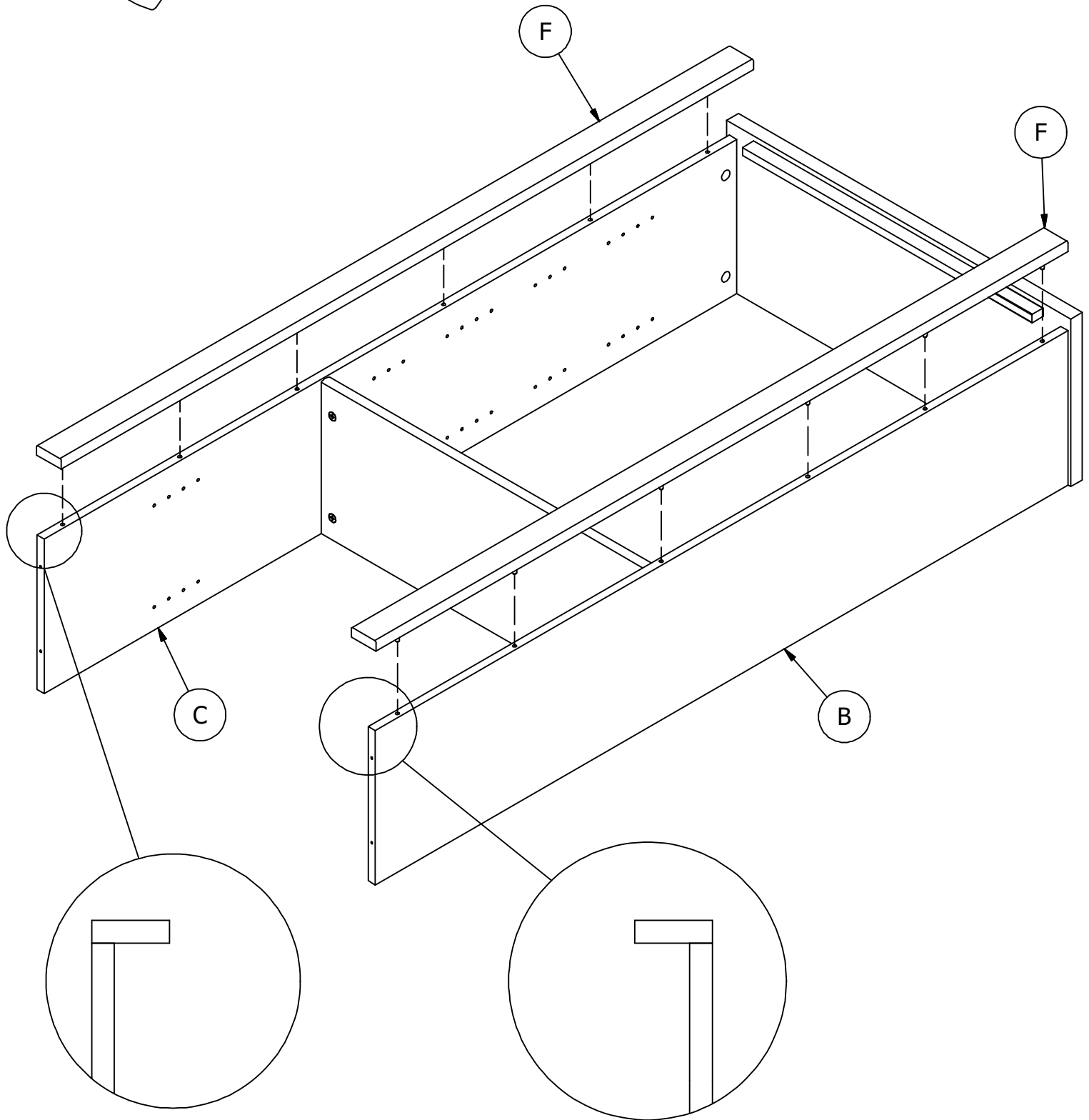
Safety glasses
Gafas de seguridad
Lunettes de protection



STEP 6

Attach Rails

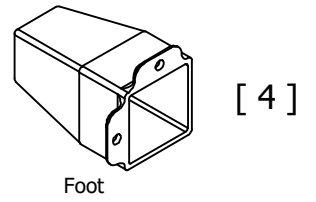
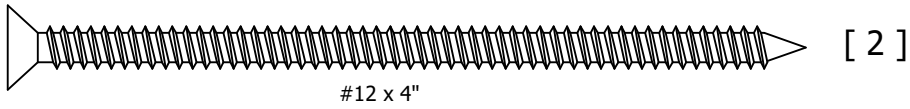
H27145



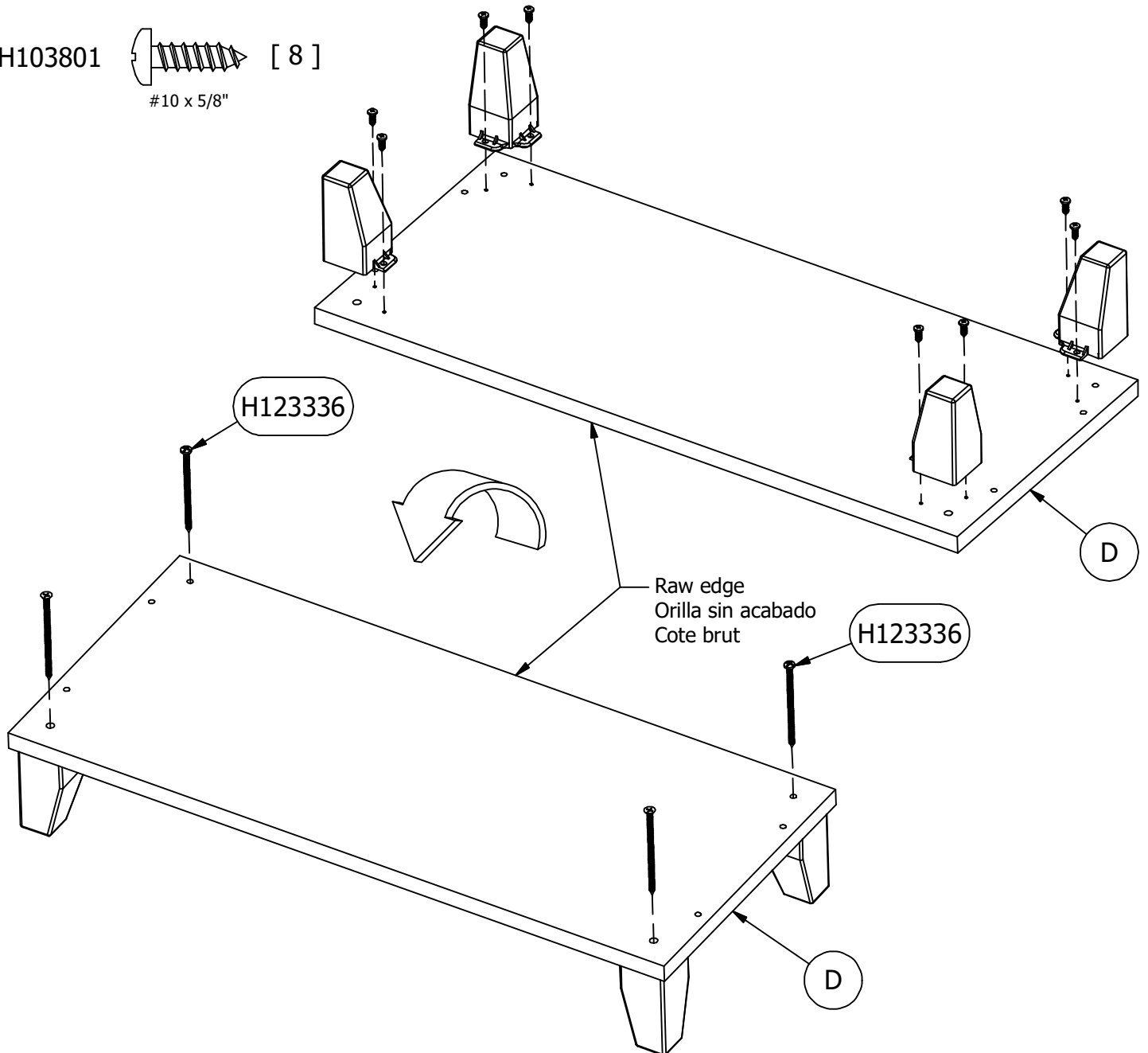
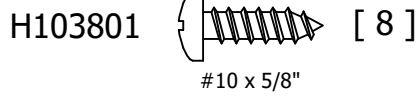
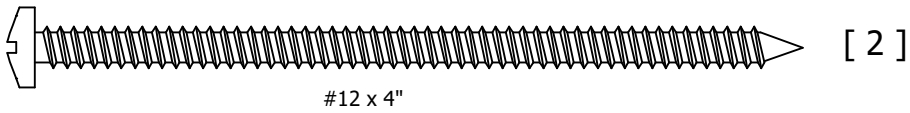
STEP 7

Assemble Base

H143460



H123336



STEP 8

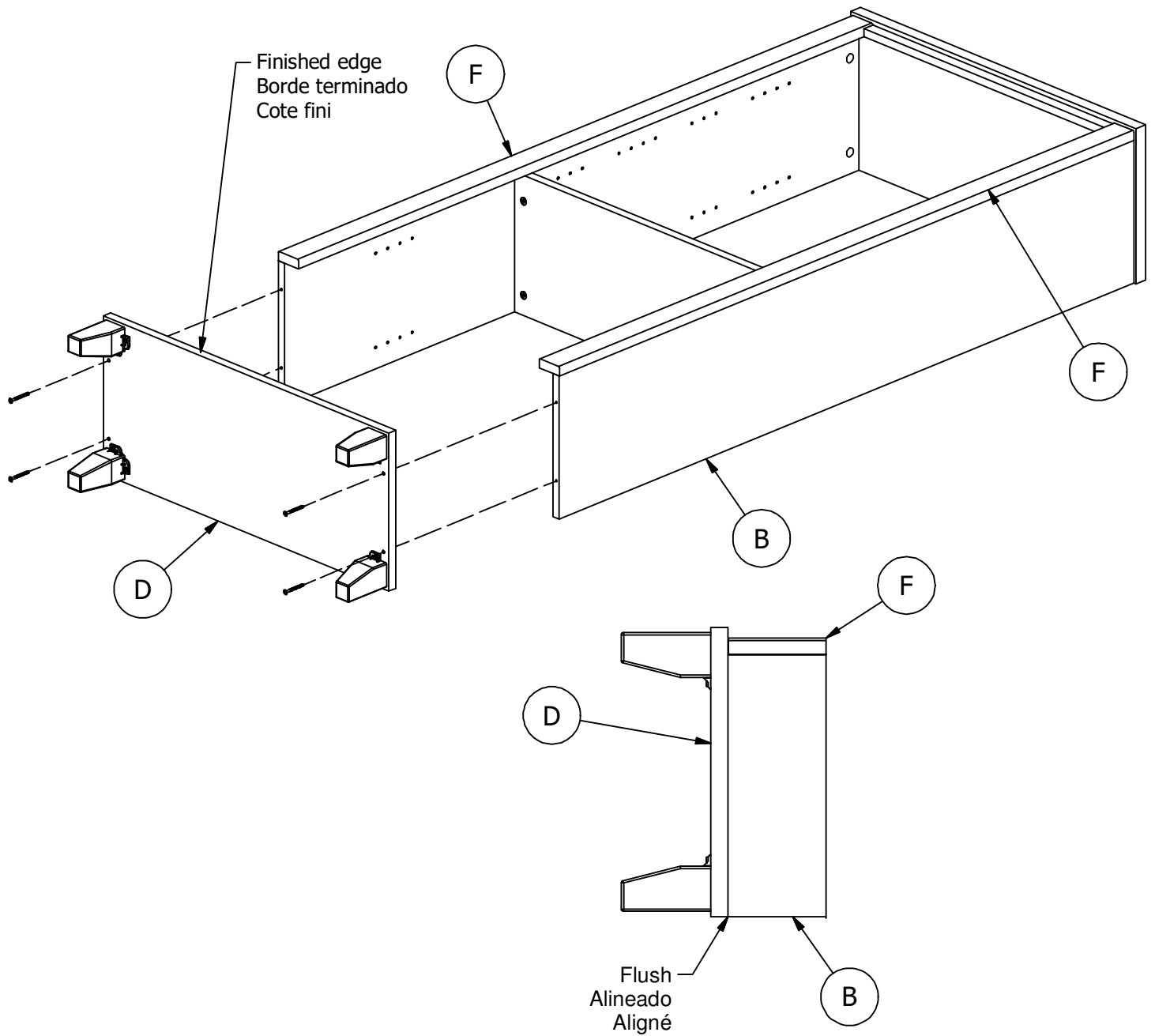
Attach Base

H23491



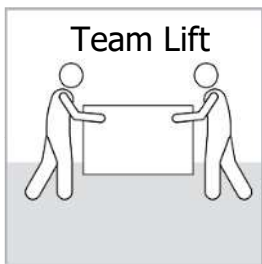
[4]

#10 x 2"

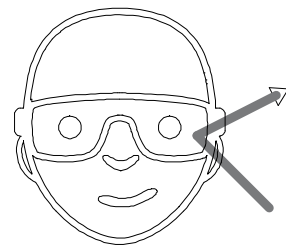


STEP 9

Attach Back Panel

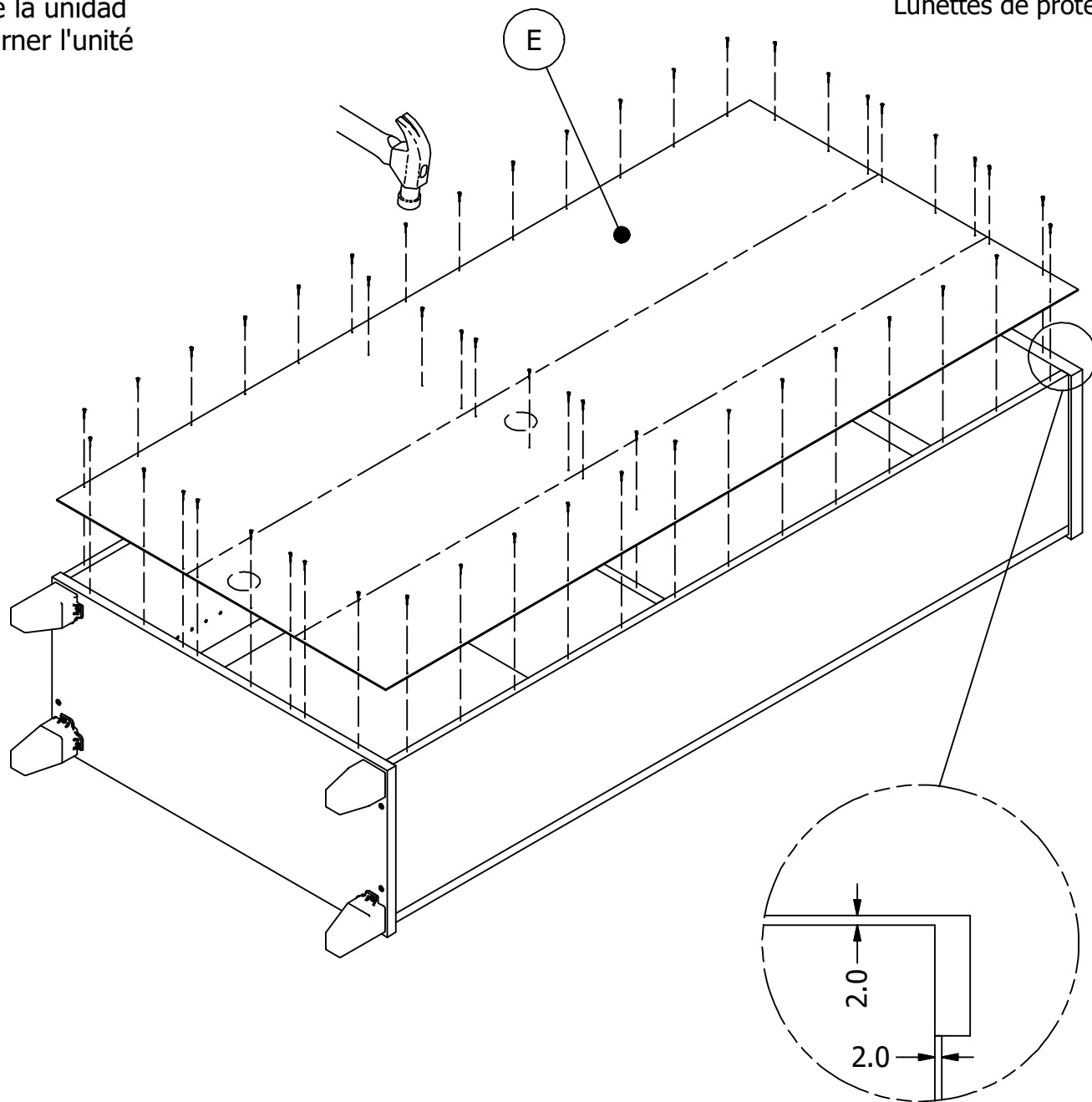


H34174 [50]
Nail 19mm



Safety glasses
Gafas de seguridad
Lunettes de protection

Flip unit over
Voltee la unidad
Retourner l'unité



STEP 10

Prepare Wall

Secure unit to the wall with a tip-over restraint.

Unidad de seguro a la pared con un sistema de retención de un vuelco.

Fixer l'unité au mur avec un dispositif de retenue renversement.

1. Place unit in desired location.
2. Locate wall stud nearest unit center. **FIG A**
3. On wall, mark center of stud location 1" below top of unit. **FIG A**
4. If a wall stud cannot be located mark hollow wall at unit center. **FIG A**
5. On back of unit, mark corresponding location 3/8" below top of unit. **FIG B**

1. Coloque la unidad en el lugar deseado.

2. Localice pie derecho de pared centro de unidad más próxima.

3. En la pared del, marque el centro de la ubicación del montante 1 "abajo la parte superior de la unidad.

4. Si un poste de la pared no se puede localizar marcar pared hueca en el centro de la unidad.

5. En el dorso de la unidad, marque la ubicación 3/8 correspondiente abajo la parte superior de la unidad.°

1. Placez l'unité à l'endroit désiré.

2. Localiser centre d'unité la plus proche de la paroi Stud.

3. Sur le mur, centre de emplacement du montant 1 "ci-dessous dessus de l'appareil de la marque.

4. Si un montant de mur ne peut pas être situé marquer mur creux au centre de l'unité.

5. Le dos de l'appareil, marquer l'emplacement 3/8 correspondant ci-dessous dessus de l'appareil.

1" (25mm)
Mark wall
Marque la pared
Marquez le mur

FIG A

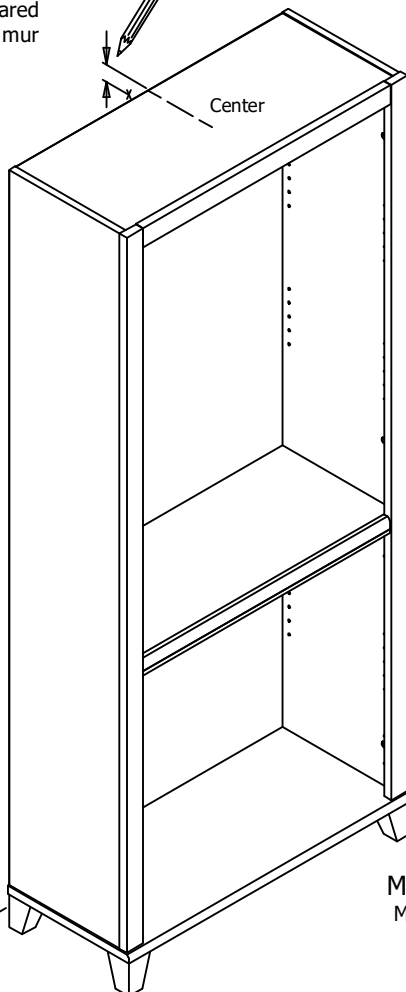
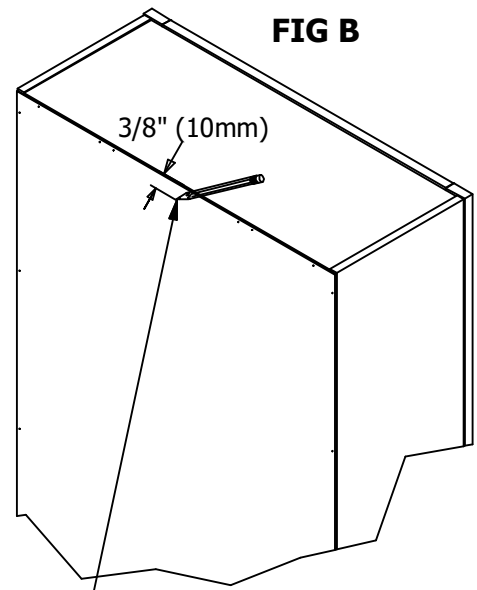


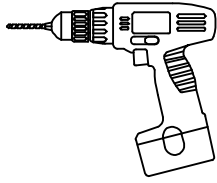
FIG B



Mark back within 6" (150mm) of center.
Marcar de vuelta dentro de 6" (150mm) de centro
Mark dans les 6" (150mm) de centre.

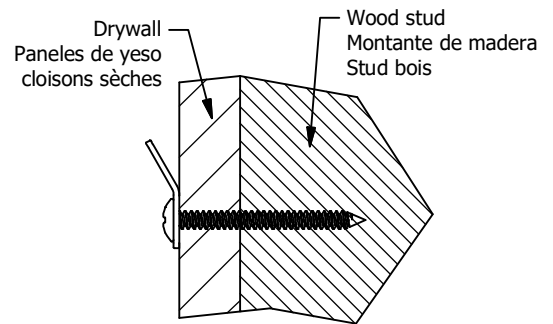
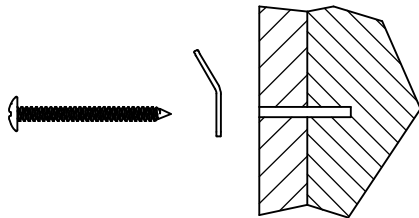
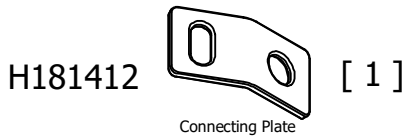
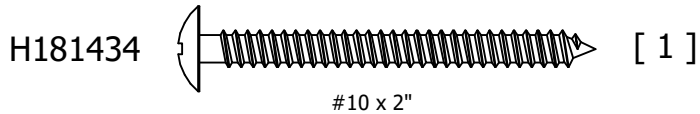
STEP 11

Attachment Options

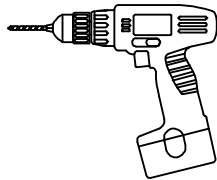


WALL STUD ATTACHMENT

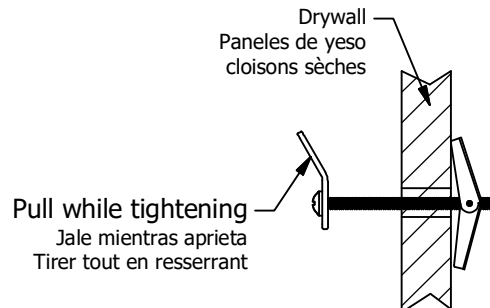
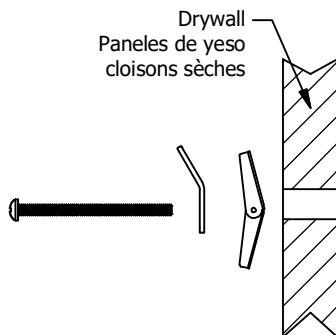
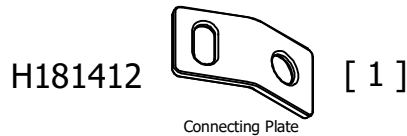
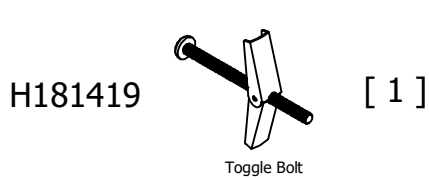
Drill 1/8" hole 1" deep at mark on wall.
Taladro octavo hoyo 1 de profundidad en la marca en la pared.
Perceuse 1/8 1 trou profond à la marque sur le mur.



HOLLOW WALL ATTACHMENT

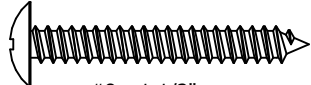


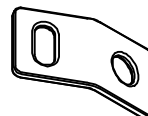
Drill 1/2" hole 1" deep at mark on wall.
Taladro medio agujero 1 de profundidad en la marca en la pared.
Perceuse 1/2 1 trou profond à la marque sur le mur.

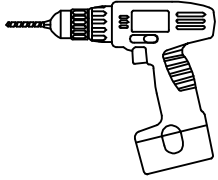


STEP 12

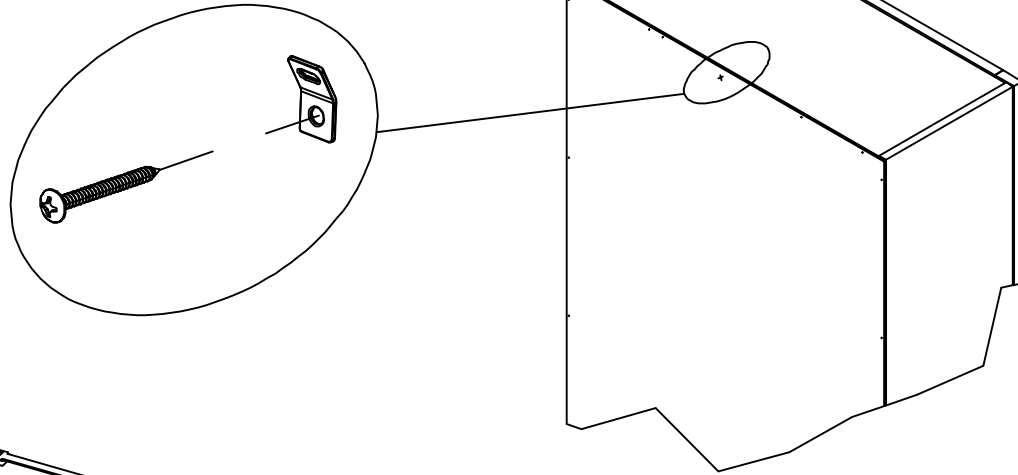
Attach Plate

H107572  [1]
#8 x 1-1/2"

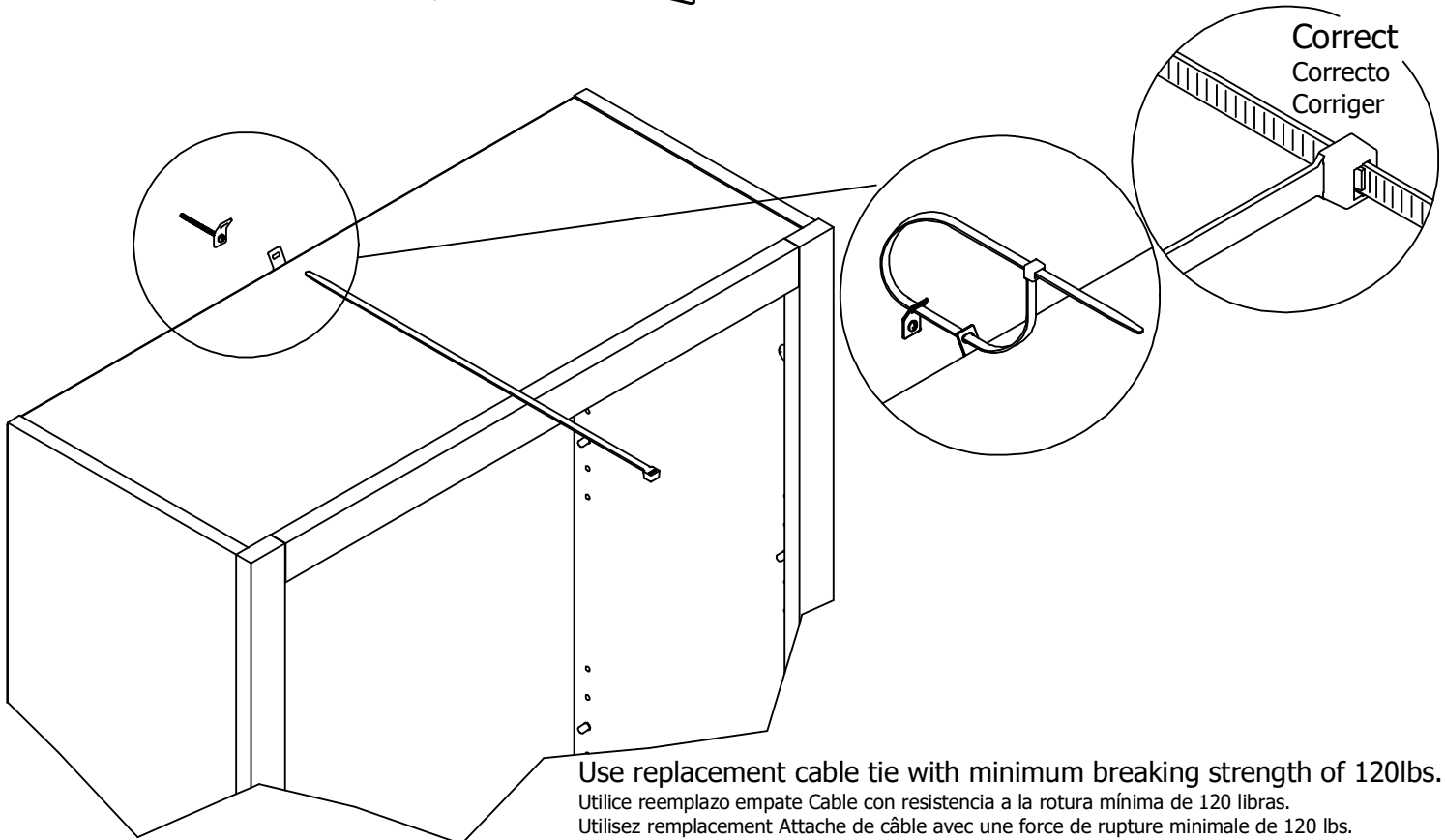
H181412  [1]
Connecting Plate



Drill 1/8" hole 1" deep at mark on unit.
Taladro 1/8 "agujero de 1" de profundidad en la marca de la unidad.
Perçer 1/8 "trou 1" de profondeur à la marque sur l'unité.



H181411  [1]
Nylon Cable Tie



Use replacement cable tie with minimum breaking strength of 120lbs.
Utilice reemplazo empate Cable con resistencia a la rotura mínima de 120 libras.
Utilisez remplacement Attache de câble avec une force de rupture minimale de 120 lbs.

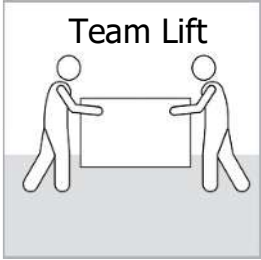
STEP 13

Insert Shelves

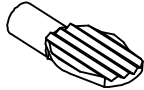
Scan QR Code to Watch Video on:



How to Clean the Surface



H67866



Shelf Pin

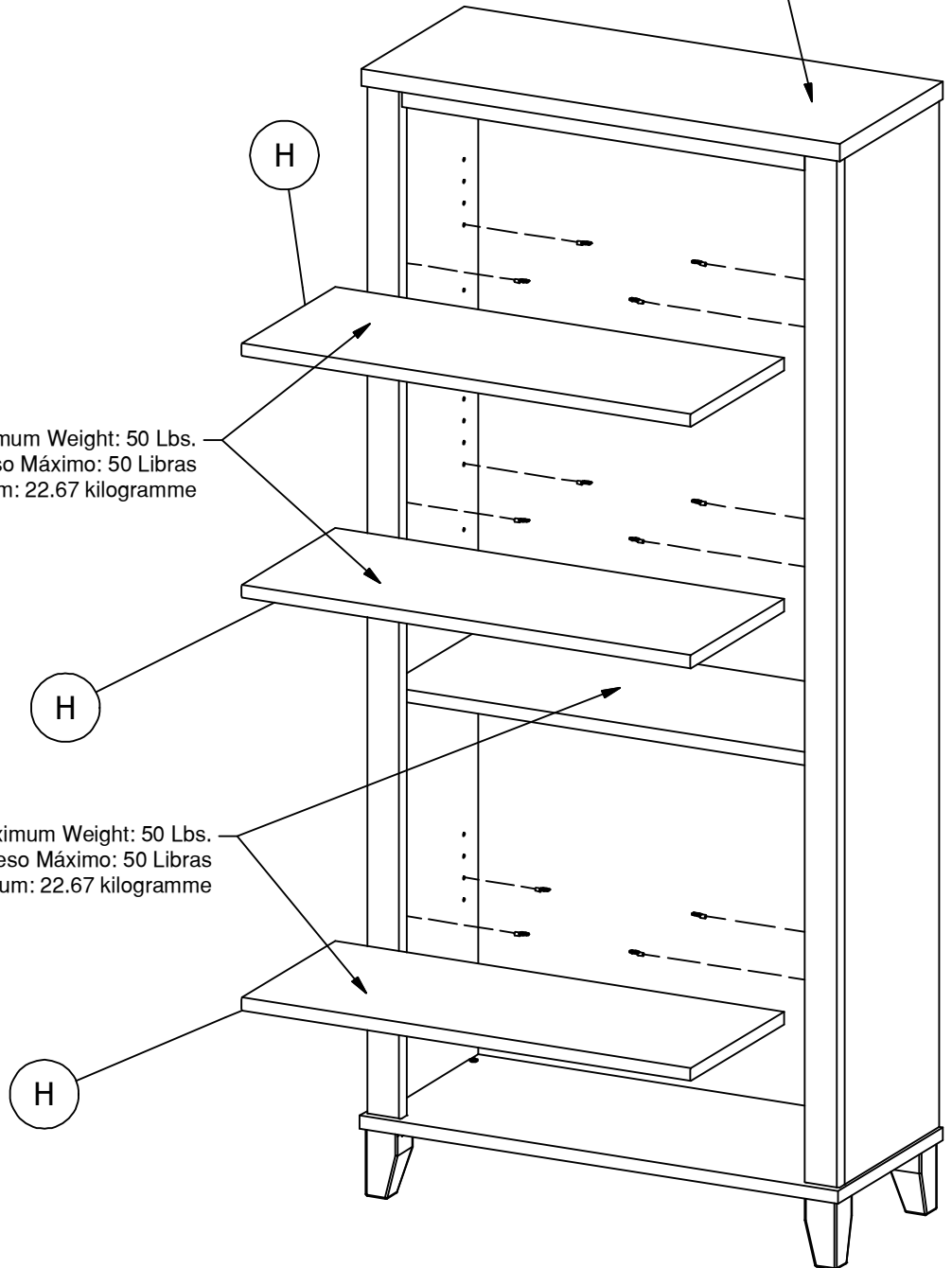
[12]

Gently clean surfaces with a damp sponge eraser.

Maximum Weight: 0 Lbs.
Peso Máximo: 0 Libras
Poids Maximum: 0 kilogramme

Maximum Weight: 50 Lbs.
Peso Máximo: 50 Libras
Poids Maximum: 22.67 kilogramme

Maximum Weight: 50 Lbs.
Peso Máximo: 50 Libras
Poids Maximum: 22.67 kilogramme



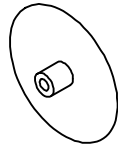
Congratulations! You are all done. If you have any questions or concerns, please call.

PARTS LIST

WC81065

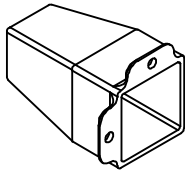
A	W196109	Top Shelf	[1]
B	W196110	Right Side Panel	[1]
C	W196111	Left Side Panel	[1]
D	W196112	Bottom Shelf	[1]
E	W193954	Back Panel	[1]
F	W196114	Side Panel Rail	[2]
G	W200725	Fixed Shelf	[1]
H	W200726	Adjustable Shelf	[3]
J	W196117	Top Shelf Apron	[1]

H73619 [4]



Cover Cap

H193807 [4]

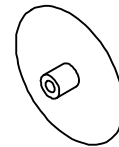


Foot

WC81165

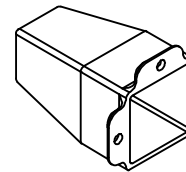
A	W200521	Top Shelf	[1]
B	W200522	Right Side Panel	[1]
C	W200523	Left Side Panel	[1]
D	W200524	Bottom Shelf	[1]
E	W200525	Back Panel	[1]
F	W200526	Side Panel Rail	[2]
G	W200527	Fixed Shelf	[1]
H	W200528	Adjustable Shelf	[3]
J	W200529	Top Shelf Apron	[1]

H193368 [4]



Cover Cap

H195789 [4]

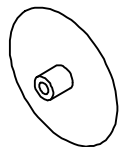


Foot

WC81365

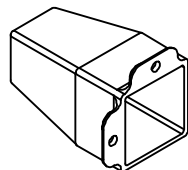
A	W200427	Top Shelf	[1]
B	W200428	Right Side Panel	[1]
C	W200429	Left Side Panel	[1]
D	W200430	Bottom Shelf	[1]
E	W200431	Back Panel	[1]
F	W200432	Side Panel Rail	[2]
G	W200433	Fixed Shelf	[1]
H	W200434	Adjustable Shelf	[3]
J	W200435	Top Shelf Apron	[1]

H73620 [4]



Cover Cap

H200227 [4]



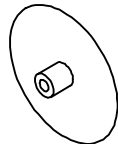
Foot

PARTS LIST

WC81265

A	W195902	Top Shelf	[1]
B	W195903	Right Side Panel	[1]
C	W195904	Left Side Panel	[1]
D	W195905	Bottom Shelf	[1]
E	W195906	Back Panel	[1]
F	W195907	Side Panel Rail	[2]
G	W195908	Fixed Shelf	[1]
H	W195909	Adjustable Shelf	[3]
J	W195910	Top Shelf Apron	[1]

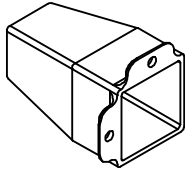
H83021



[4]

Cover Cap

H195789



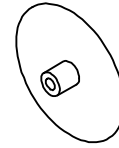
[4]

Foot

WC81465

A	W103114	Top Shelf	[1]
B	W103115	Right Side Panel	[1]
C	W103116	Left Side Panel	[1]
D	W144812	Bottom Shelf	[1]
E	W103118	Back Panel	[1]
F	W144813	Side Panel Rail	[2]
G	W103120	Fixed Shelf	[1]
H	W103121	Adjustable Shelf	[3]
J	W103122	Top Shelf Apron	[1]

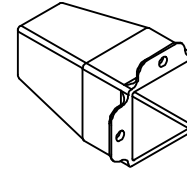
H87676



[4]

Cover Cap

H149999



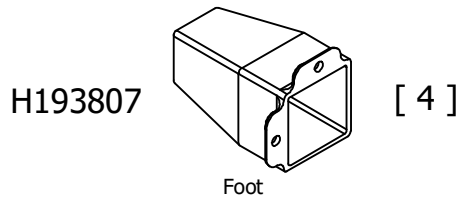
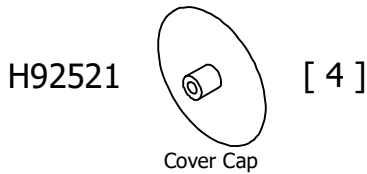
[4]

Foot

PARTS LIST

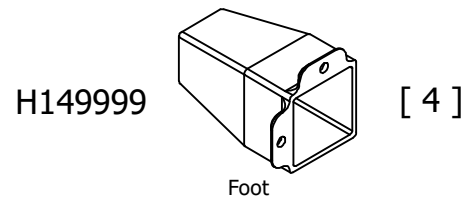
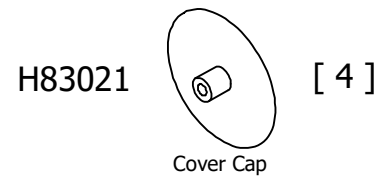
WC81565

A	W193950	Top Shelf	[1]
B	W193951	Right Side Panel	[1]
C	W193952	Left Side Panel	[1]
D	W193953	Bottom Shelf	[1]
E	W193954	Back Panel	[1]
F	W193955	Side Panel Rail	[2]
G	W193956	Fixed Shelf	[1]
H	W193957	Adjustable Shelf	[3]
J	W193958	Top Shelf Apron	[1]



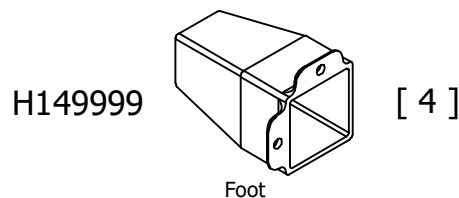
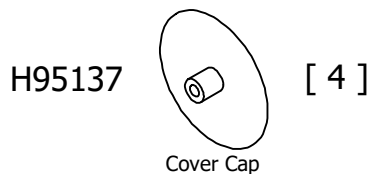
WC81665

A	W189123	Top Shelf	[1]
B	W189124	Right Side Panel	[1]
C	W189125	Left Side Panel	[1]
D	W189126	Bottom Shelf	[1]
E	W189127	Back Panel	[1]
F	W189128	Side Panel Rail	[2]
G	W189129	Fixed Shelf	[1]
H	W189130	Adjustable Shelf	[3]
J	W189131	Top Shelf Apron	[1]



WC81765

A	W145342	Top Shelf	[1]
B	W145344	Right Side Panel	[1]
C	W145343	Left Side Panel	[1]
D	W145349	Bottom Shelf	[1]
E	W145345	Back Panel	[1]
F	W145350	Side Panel Rail	[2]
G	W145346	Fixed Shelf	[1]
H	W145347	Adjustable Shelf	[3]
J	W145348	Top Shelf Apron	[1]

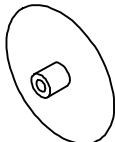


PARTS LIST

WC81965

A	W196109	Top Shelf	[1]
B	W196110	Right Side Panel	[1]
C	W196111	Left Side Panel	[1]
D	W196112	Bottom Shelf	[1]
E	W196113	Back Panel	[1]
F	W196114	Side Panel Rail	[2]
G	W196115	Fixed Shelf	[1]
H	W196116	Adjustable Shelf	[3]
J	W196117	Top Shelf Apron	[1]

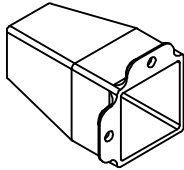
H73619



[4]

Cover Cap

H195623



[4]

Foot

WC81865

A	W177584	Top Shelf	[1]
B	W177585	Right Side Panel	[1]
C	W177586	Left Side Panel	[1]
D	W177587	Bottom Shelf	[1]
E	W177588	Back Panel	[1]
F	W177589	Side Panel Rail	[2]
G	W177590	Fixed Shelf	[1]
H	W177591	Adjustable Shelf	[3]
J	W177592	Top Shelf Apron	[1]

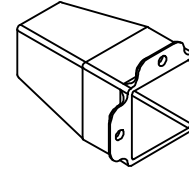
H73621



[4]

Cover Cap

H177601



[4]

Foot