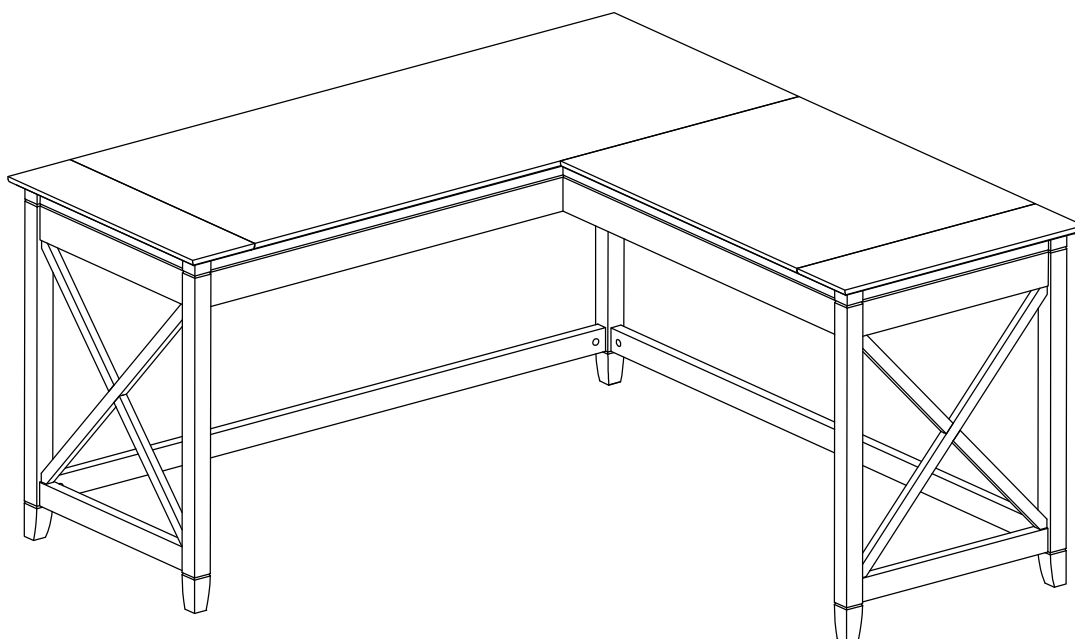


60W L-Desk



Get Ready to Assemble

For best results, keep these tips in mind:

- ① We know you want to finish this assembly as quickly as possible, but trust us: you'll have a better experience if you take it one step at a time.
- ② Give yourself some room to work near where you want the fully assembled product.
- ③ If your floor isn't carpeted, assemble this product on the empty carton to avoid scratching.
- ④ Do you have a friend who owes you a favor? Some steps may go a little easier with a second set of hands.

IMPORTANT SAFETY INFORMATION



PLEASE READ WARNINGS

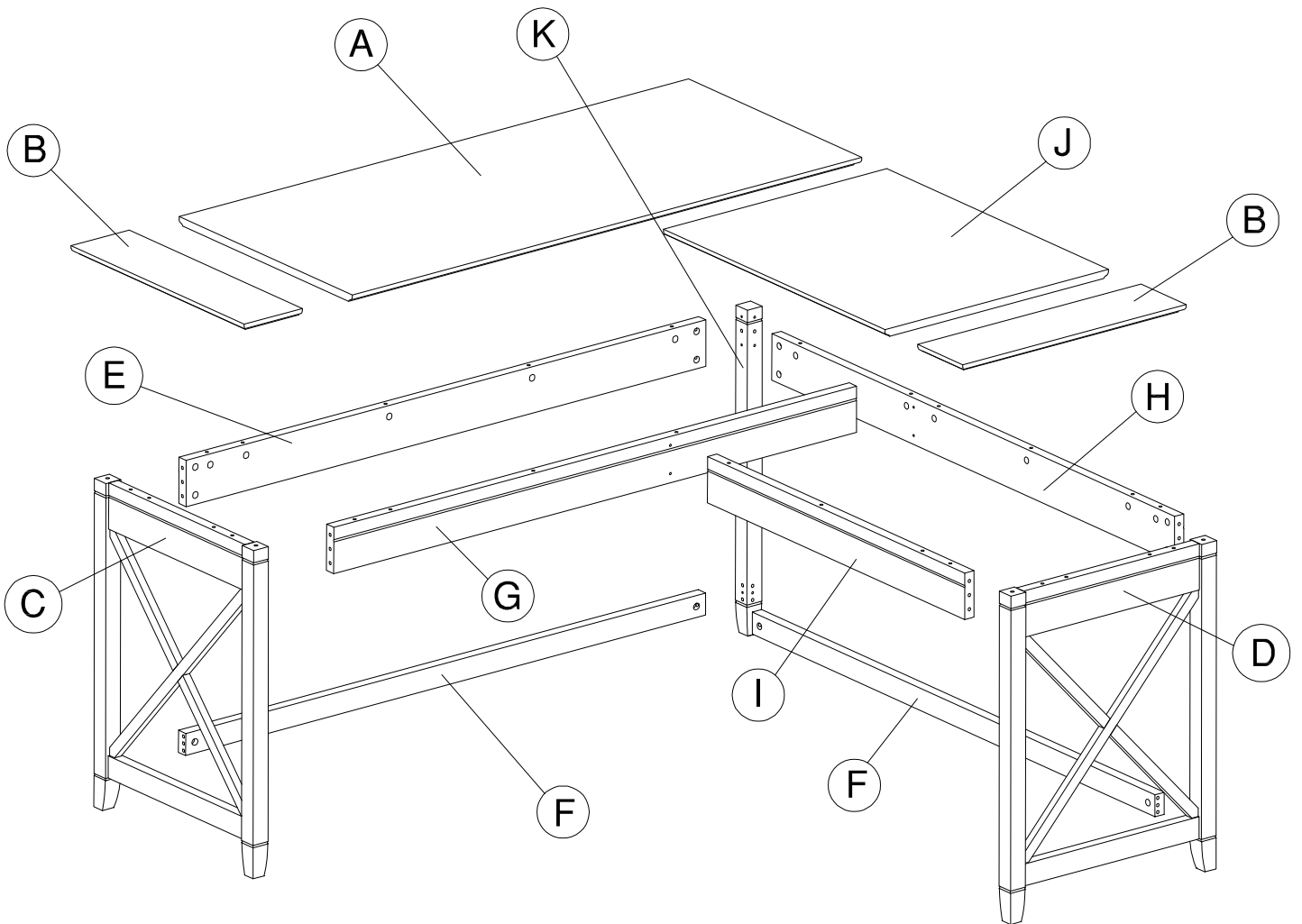
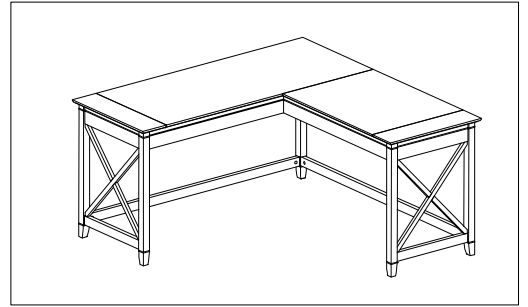
Improper use can cause safety hazards, or damage to your furniture and household items.

Warning	Do	Don't	Why it's important
Serious injury may occur.	<ul style="list-style-type: none">Assemble following all instructions using all indicated parts and hardware provided.	<ul style="list-style-type: none">Do not move unit when loaded.Do not load with a television or other heavy equipment.Do not exceed the maximum load limits stated in the instructions.	Improper assembly, use or loading can lead to product instability, tipover, or collapse.

Advertencia	Hacer	No	Por qué es importante
Pueden producirse lesiones graves.	<ul style="list-style-type: none">Realice el montaje siguiendo todas las instrucciones y utilizando todas las piezas indicadas y los herrajes suministrados.	<ul style="list-style-type: none">No mueva la unidad cuando esté cargada.No cargue el mueble con un televisor u otro equipo pesado.No supere los límites máximos de carga indicados en las instrucciones.	El montaje, uso o carga inadecuados pueden provocar inestabilidad, vuelco o colapso del producto.

Avertissement	À faire	À ne pas faire	Pourquoi c'est important
Peut entraîner des blessures graves.	<ul style="list-style-type: none">Assembler en suivant toutes les instructions et en utilisant toutes les pièces et la quincaillerie incluses.	<ul style="list-style-type: none">Ne pas déplacer le meuble lorsqu'il est chargé.Ne pas charger le meuble avec un téléviseur ou tout autre équipement lourd.Ne pas dépasser les limites de poids maximales indiquées dans les instructions.	Un assemblage, une utilisation ou un chargement incorrects peuvent entraîner l'instabilité, le basculement ou l'effondrement du produit.

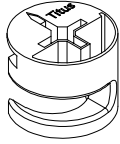
Get to know your Boards



Get to know your Fasteners

Fasteners are shown actual size.

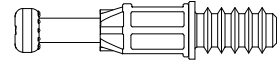
H181468



[41]

KD Cam

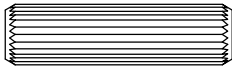
H72988



[41]

KD Bolt

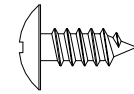
H38169



[19]

Wood Dowel
8 x 30mm

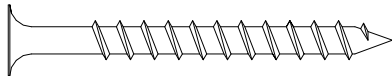
H35251



[16]

#10 x 1/2"

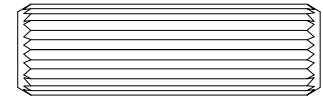
H23491



[2]

#10 x 2"

H203743



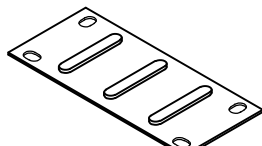
[4]

Wood Dowel
12 x 40mm

Get to know your Hardware

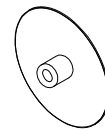
Hardware not to scale.

H39922



[4]

Strap



[8]

Cover Cap

STEP 1

Prepare Panels

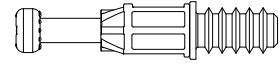
H38169



[4]

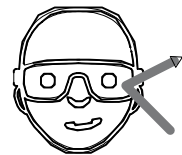
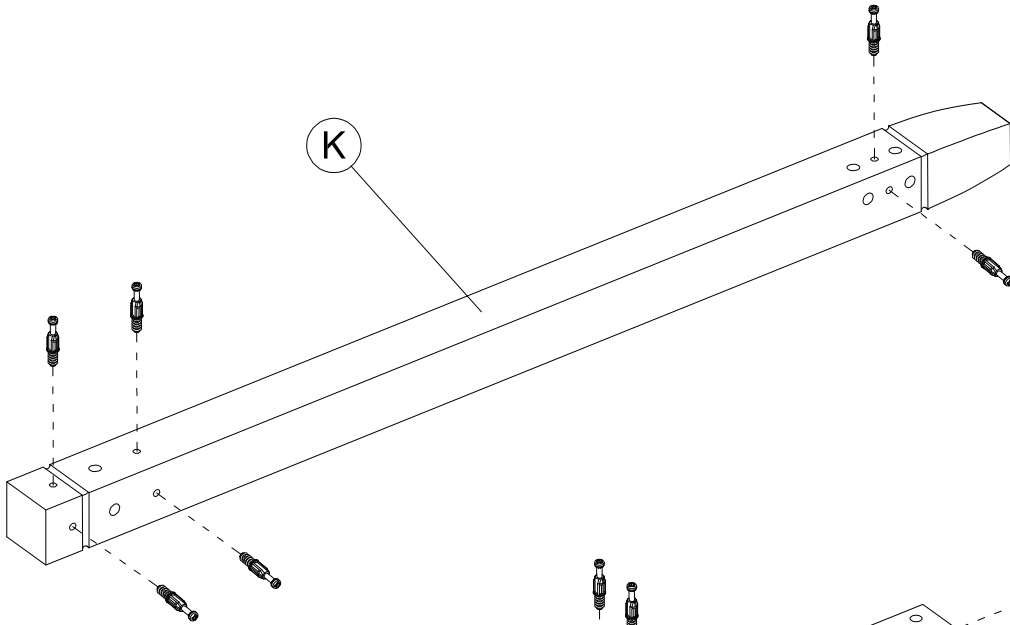
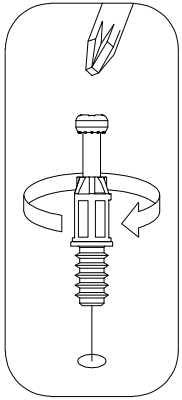
Wood Dowel
8 x 30mm

H72988

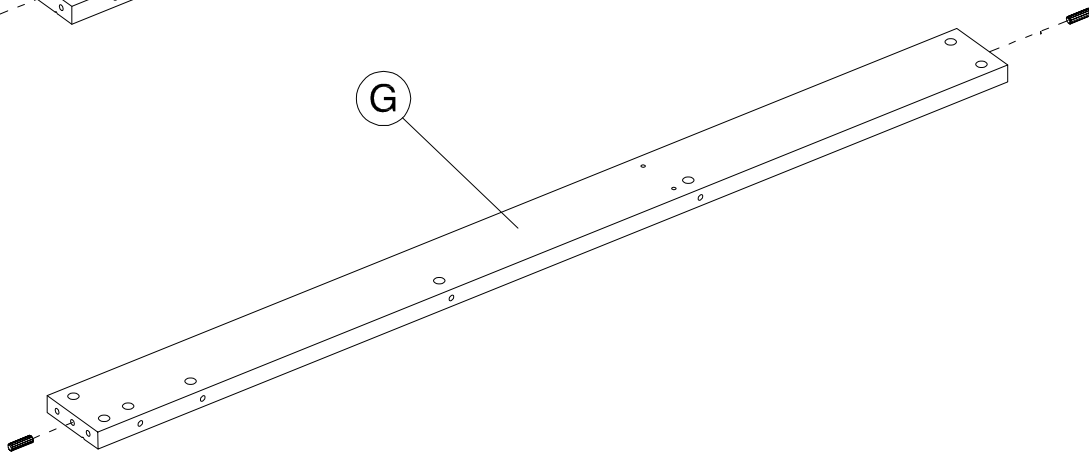
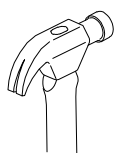
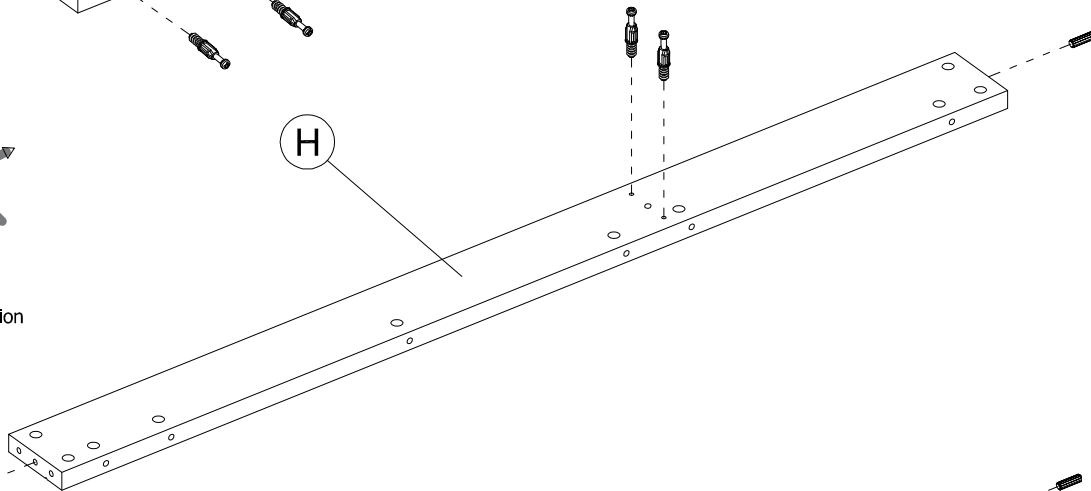


[8]

KD Bolt



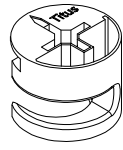
Safety glasses
Gafas de seguridad
Lunettes de protection



STEP 2

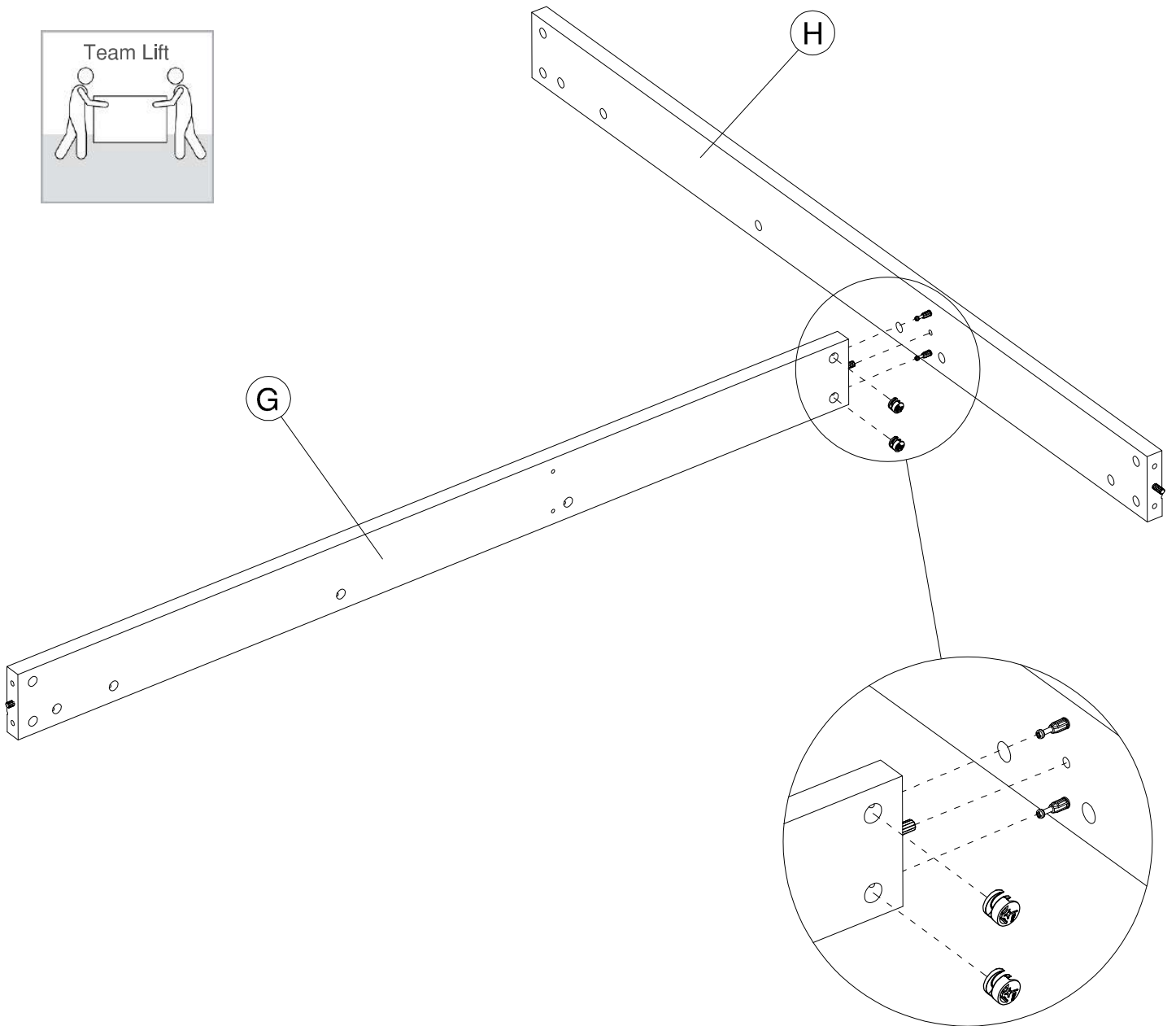
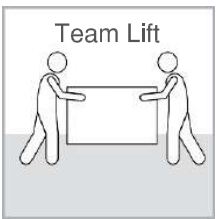
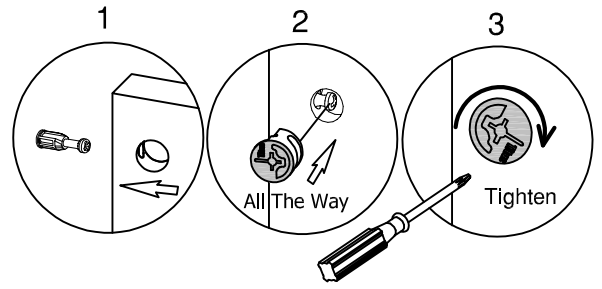
Assemble Panels

H181468



KD Cam

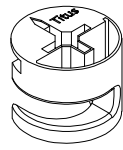
[2]



STEP 3

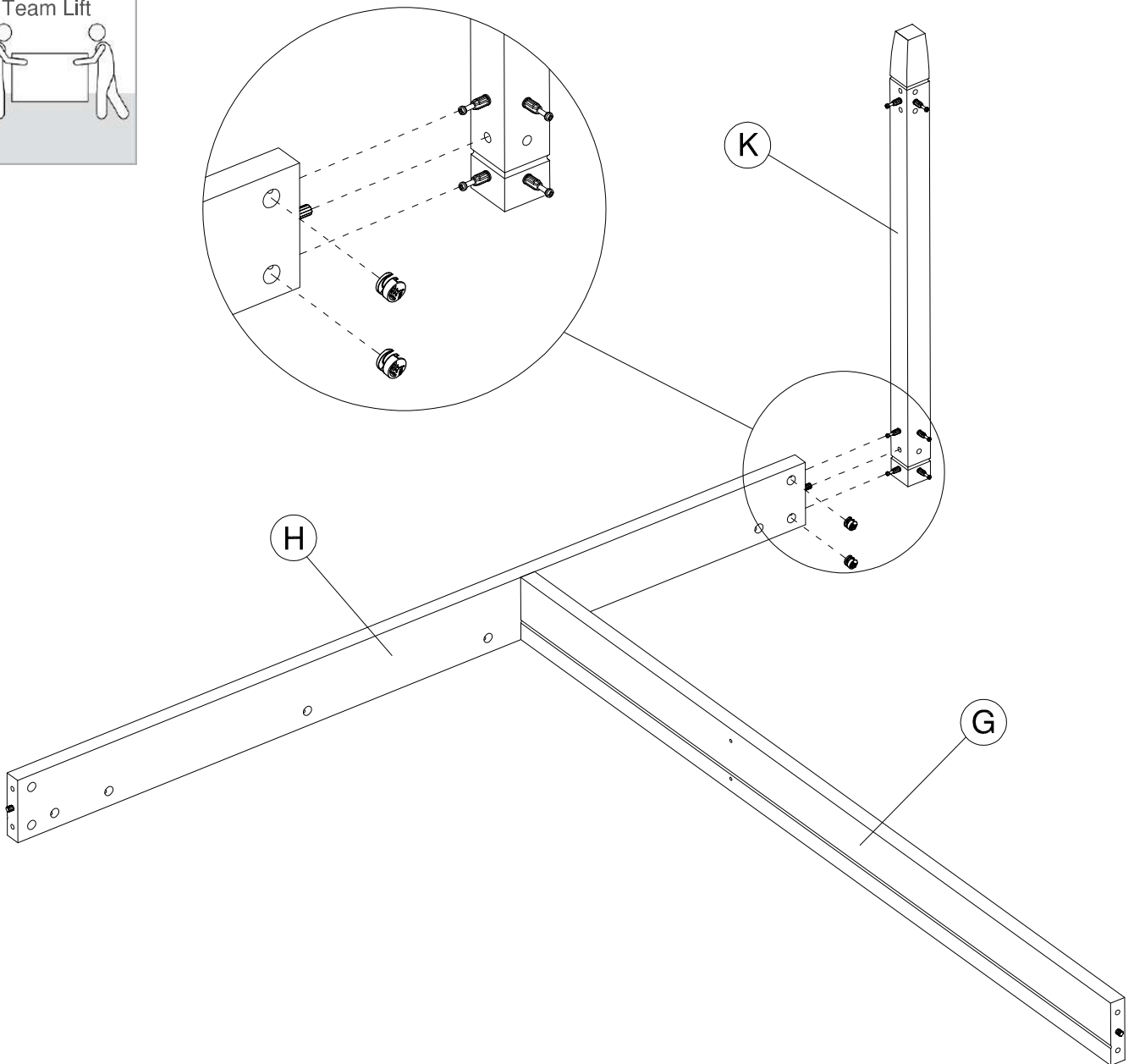
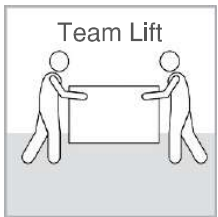
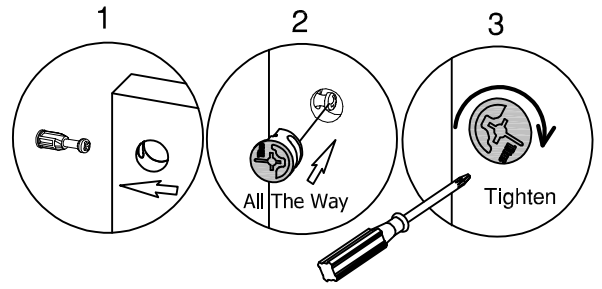
Assemble Panels

H181468



KD Cam

[2]



STEP 4

Prepare Panels

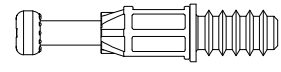
H38169



[10]

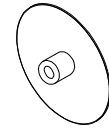
Wood Dowel
8 x 30mm

H72988



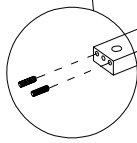
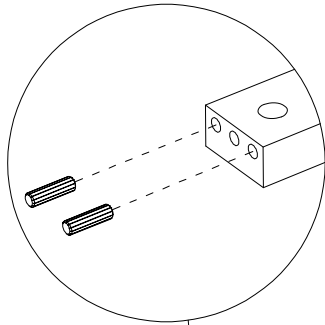
[5]

KD Bolt



[2]

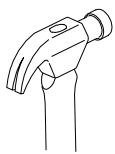
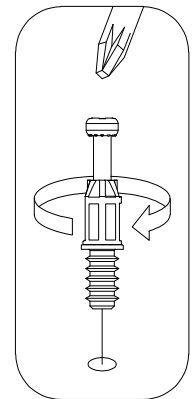
Cover Cap



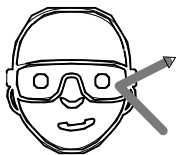
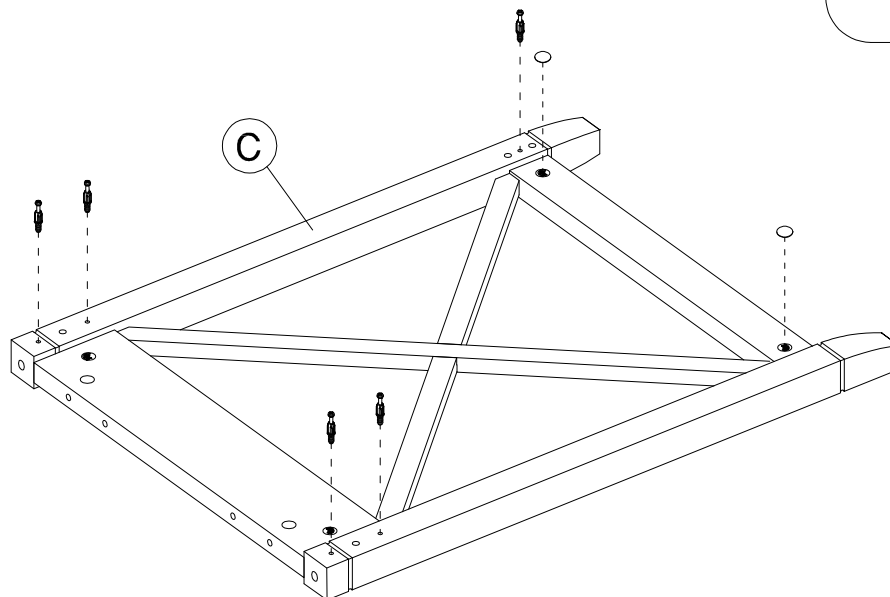
2 X

F

E



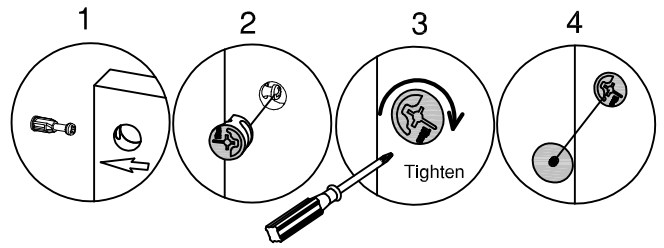
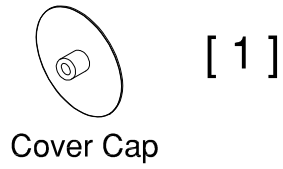
C



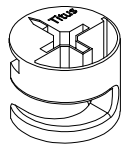
Safety glasses
Gafas de seguridad
Lunettes de protection

STEP 5

Assemble Panels

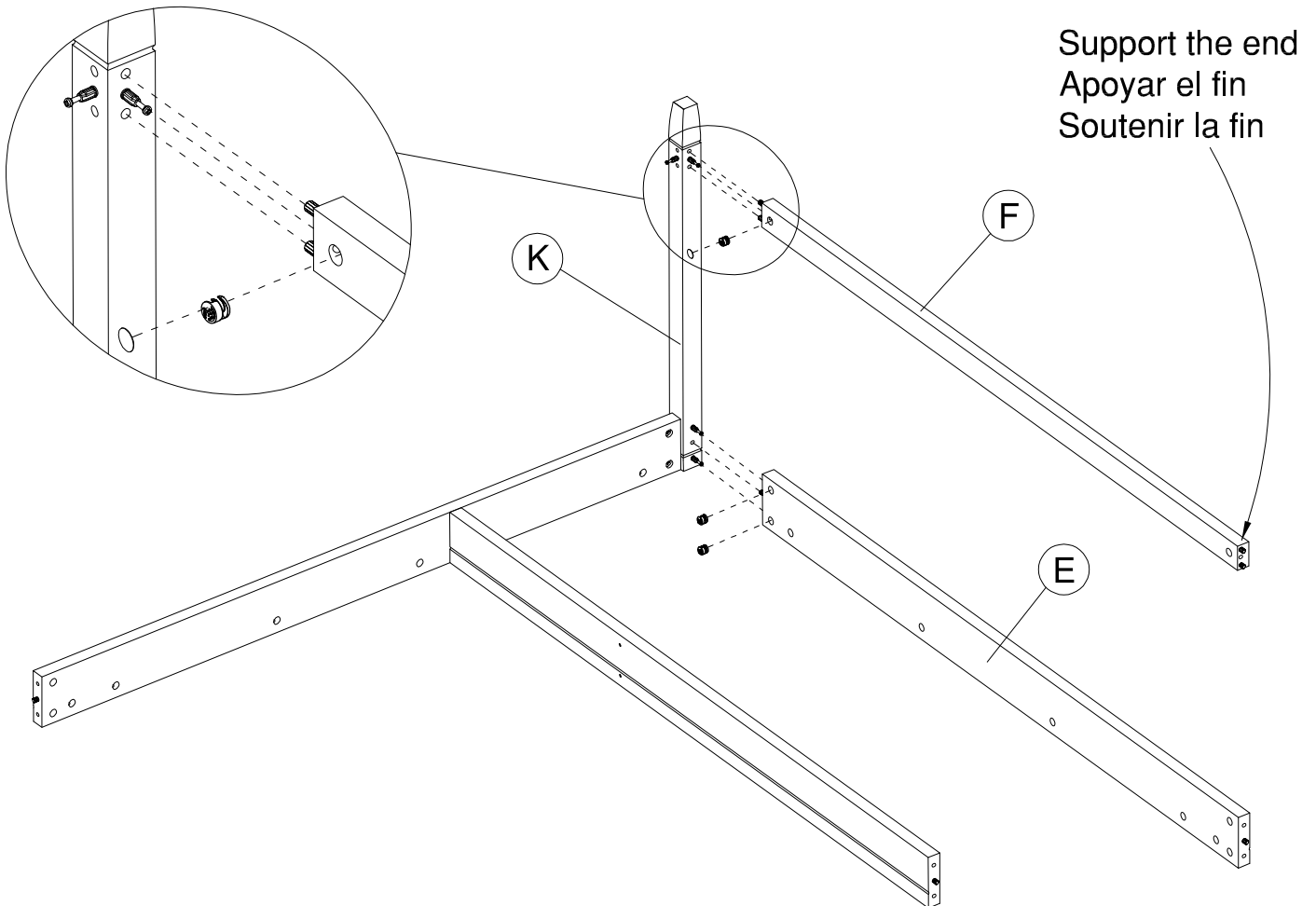
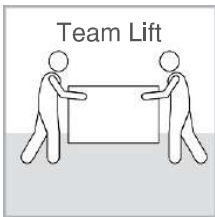


H181468



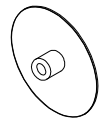
[3]

KD Cam



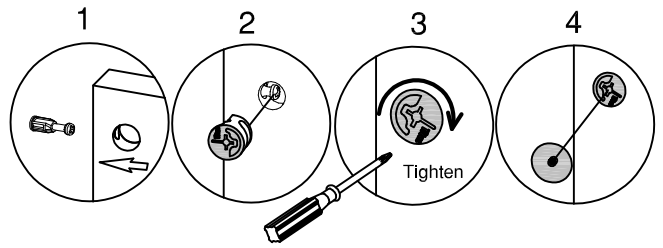
STEP 6

Assemble Panels

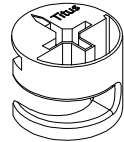


[1]

Cover Cap

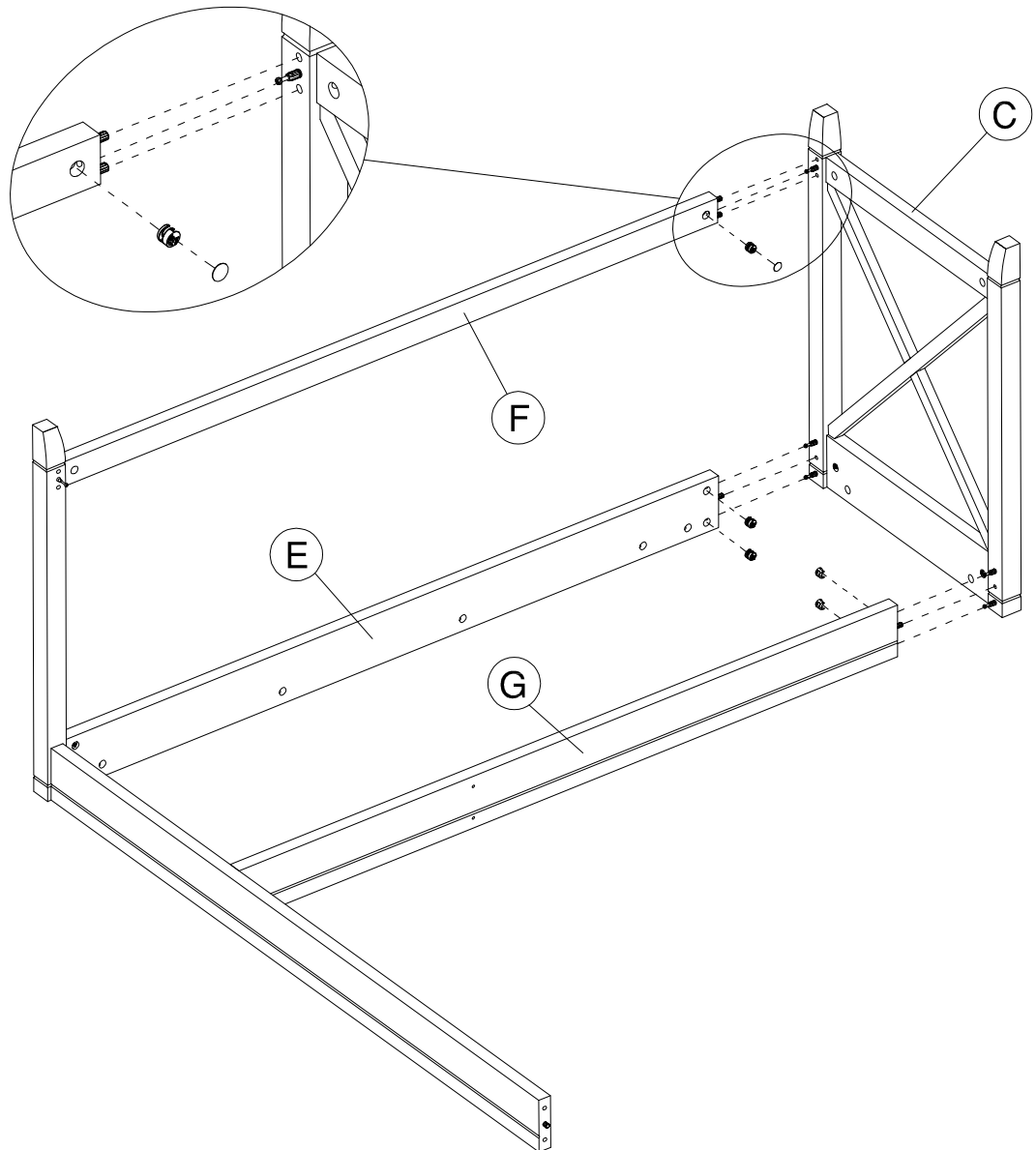
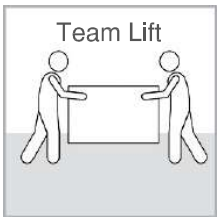


H181468



[5]

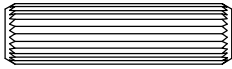
KD Cam



STEP 7

Prepare Panels

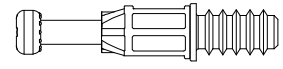
H38169



[1]

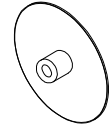
Wood Dowel
8 x 30mm

H72988



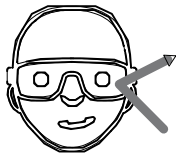
[5]

KD Bolt

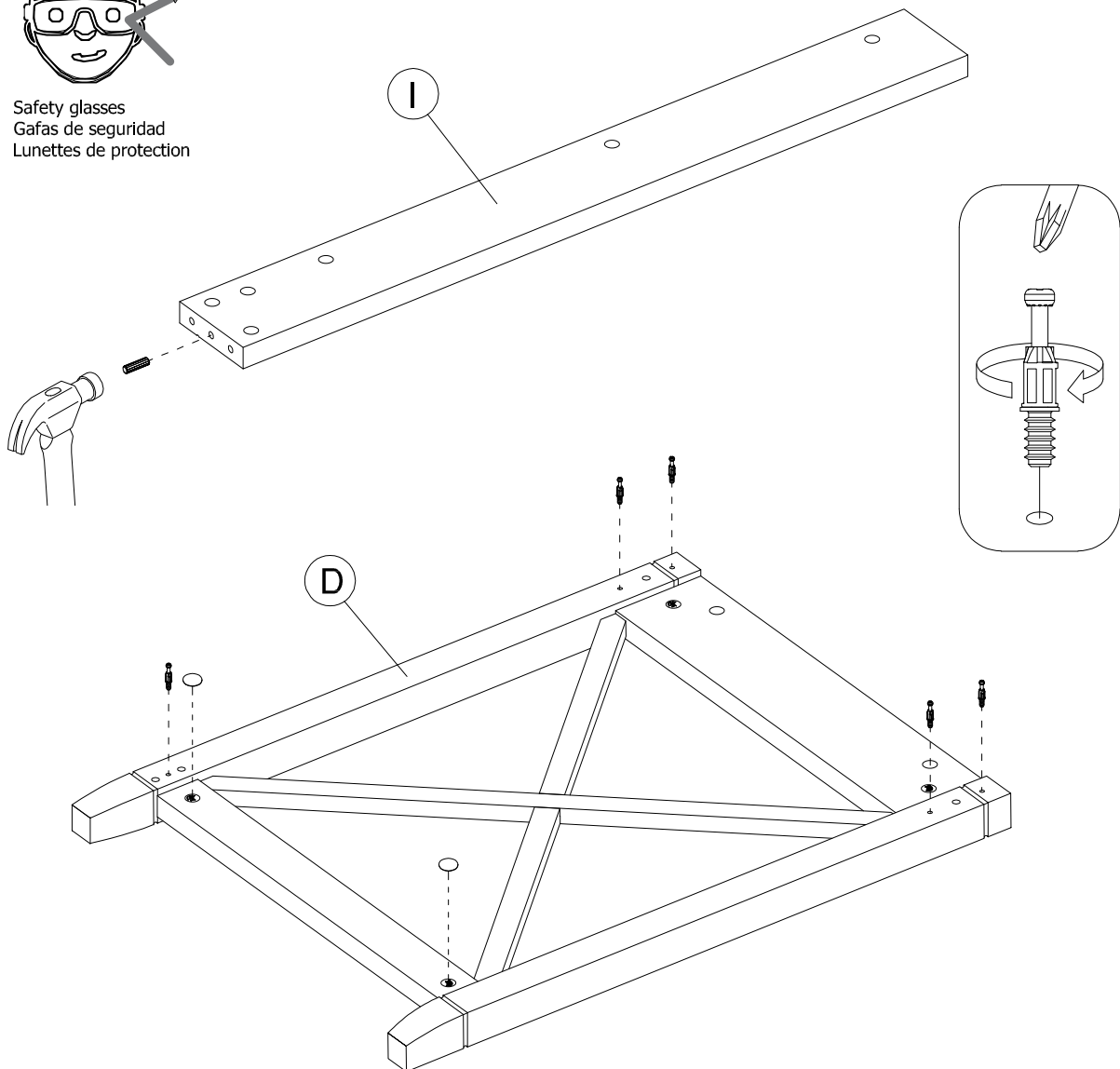


[2]

Cover Cap

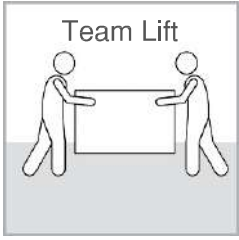


Safety glasses
Gafas de seguridad
Lunettes de protection

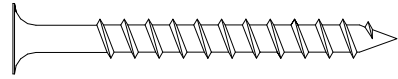


STEP 8

Assemble Panels

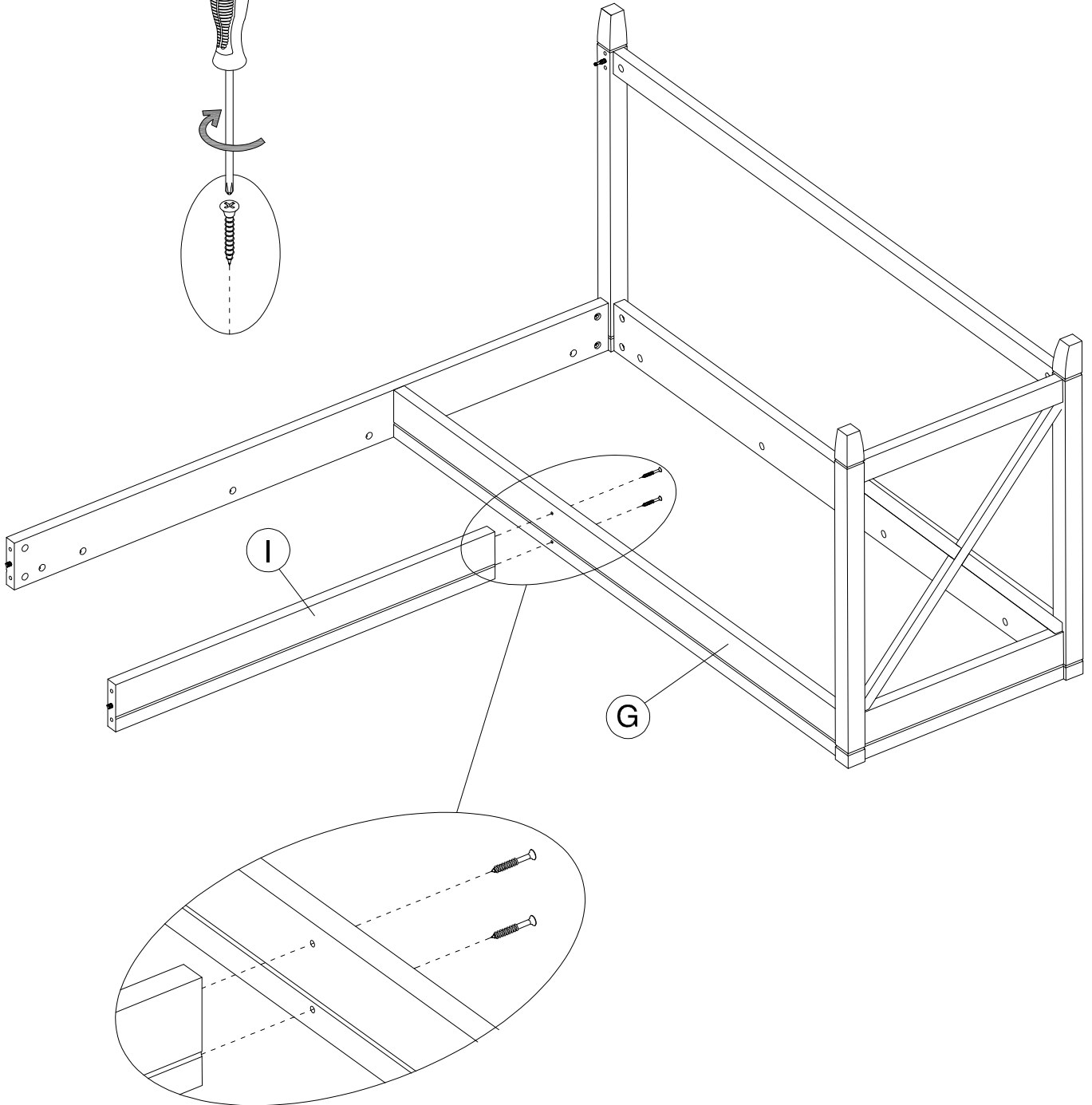
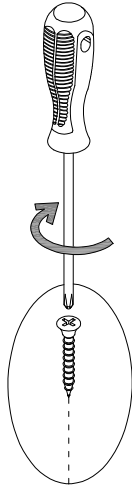


H23491



[2]

#10 x 2"

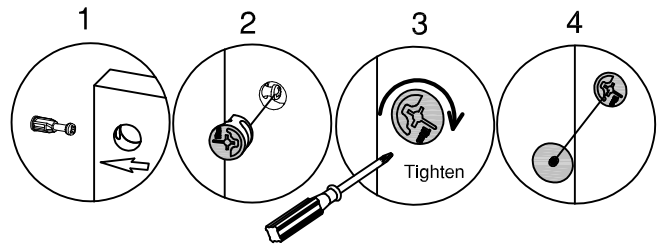


STEP 9

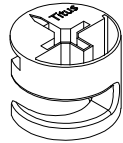
Assemble Panels



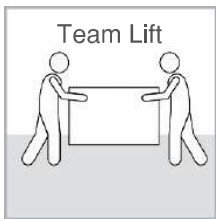
[1]



H181468

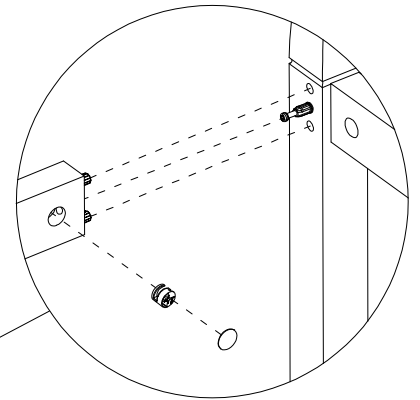
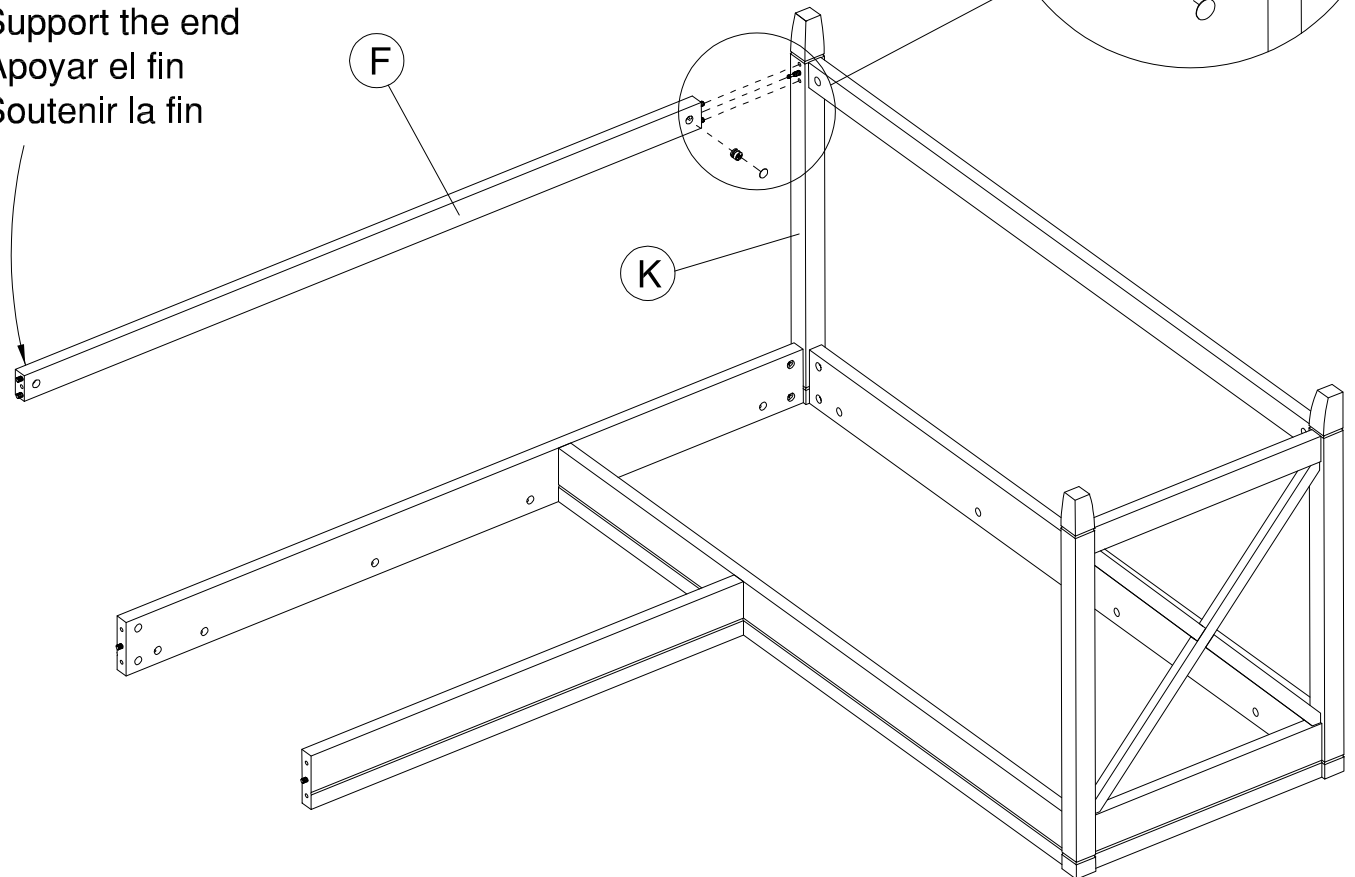


[1]



KD Cam

Support the end
Apoyar el fin
Soutenir la fin

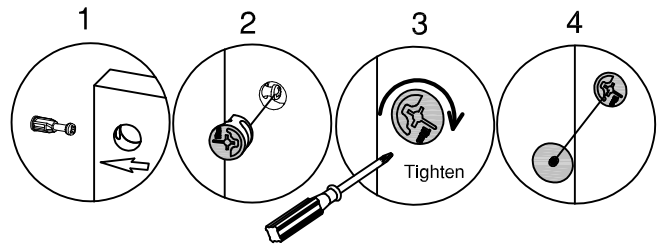


STEP 10

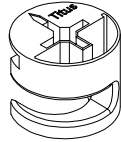
Assemble Panels



[1]

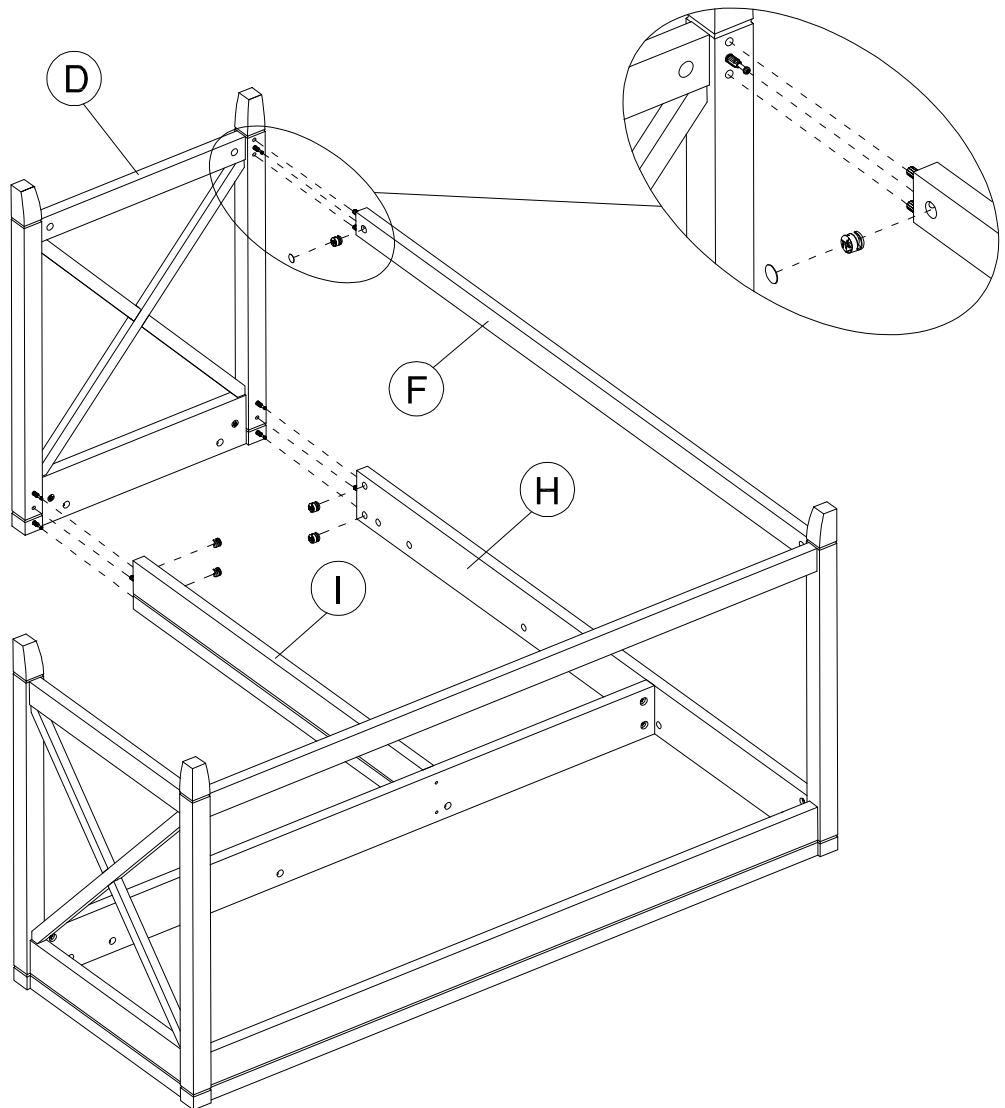
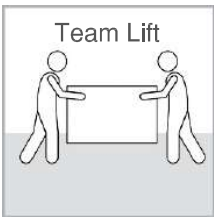


H181468



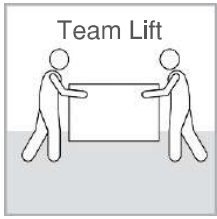
KD Cam

[5]



STEP 11

Insert Fasteners



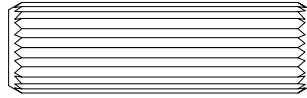
H38169



[4]

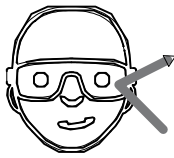
Wood Dowel
8 x 30mm

H203743

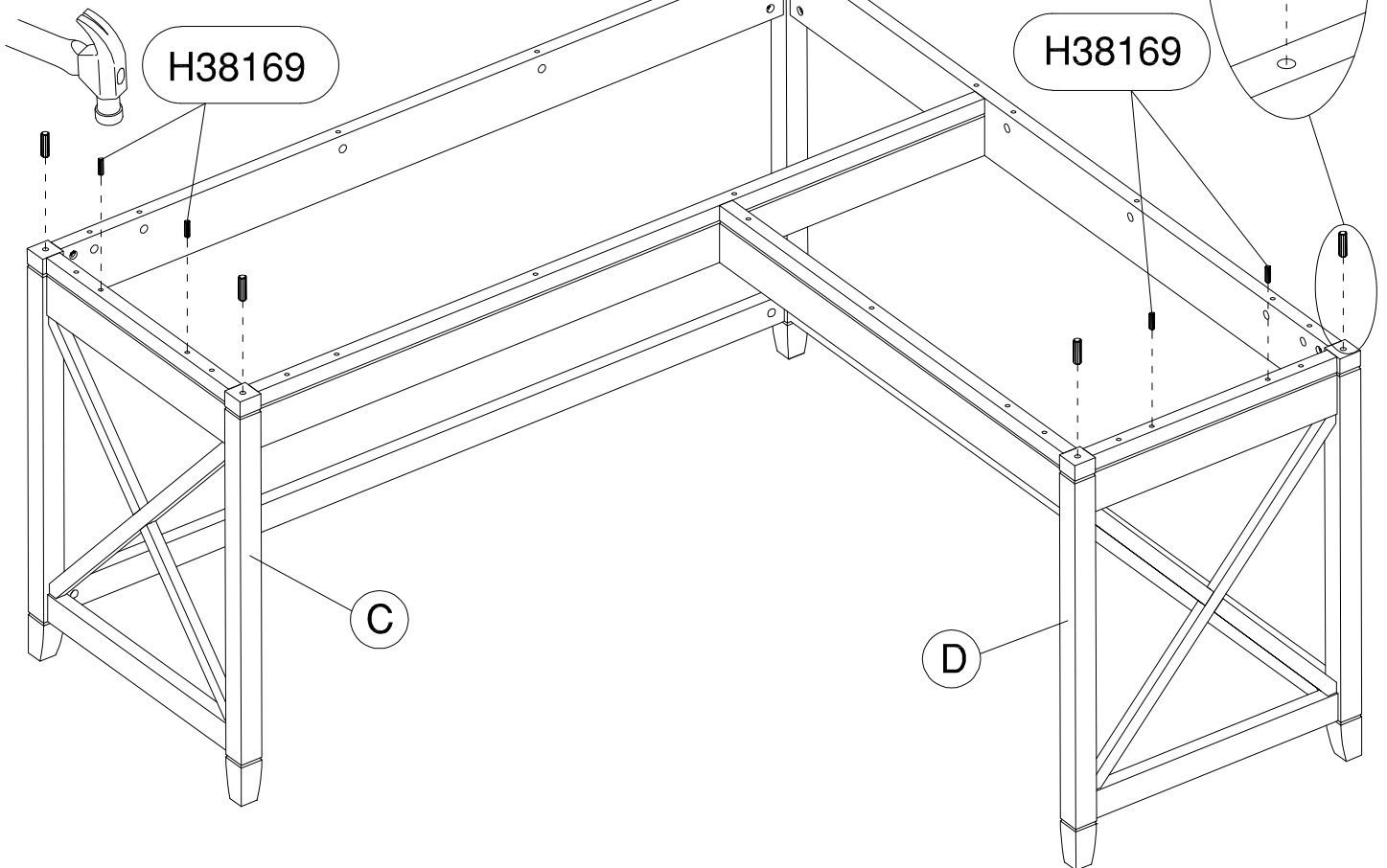


[4]

Wood Dowel
12 x 40mm

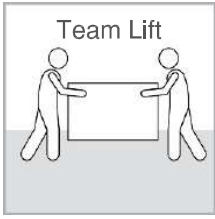


Safety glasses
Gafas de seguridad
Lunettes de protection

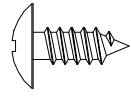


STEP 12

Assemble Panels

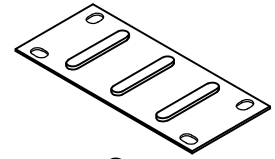


H35251



[8]

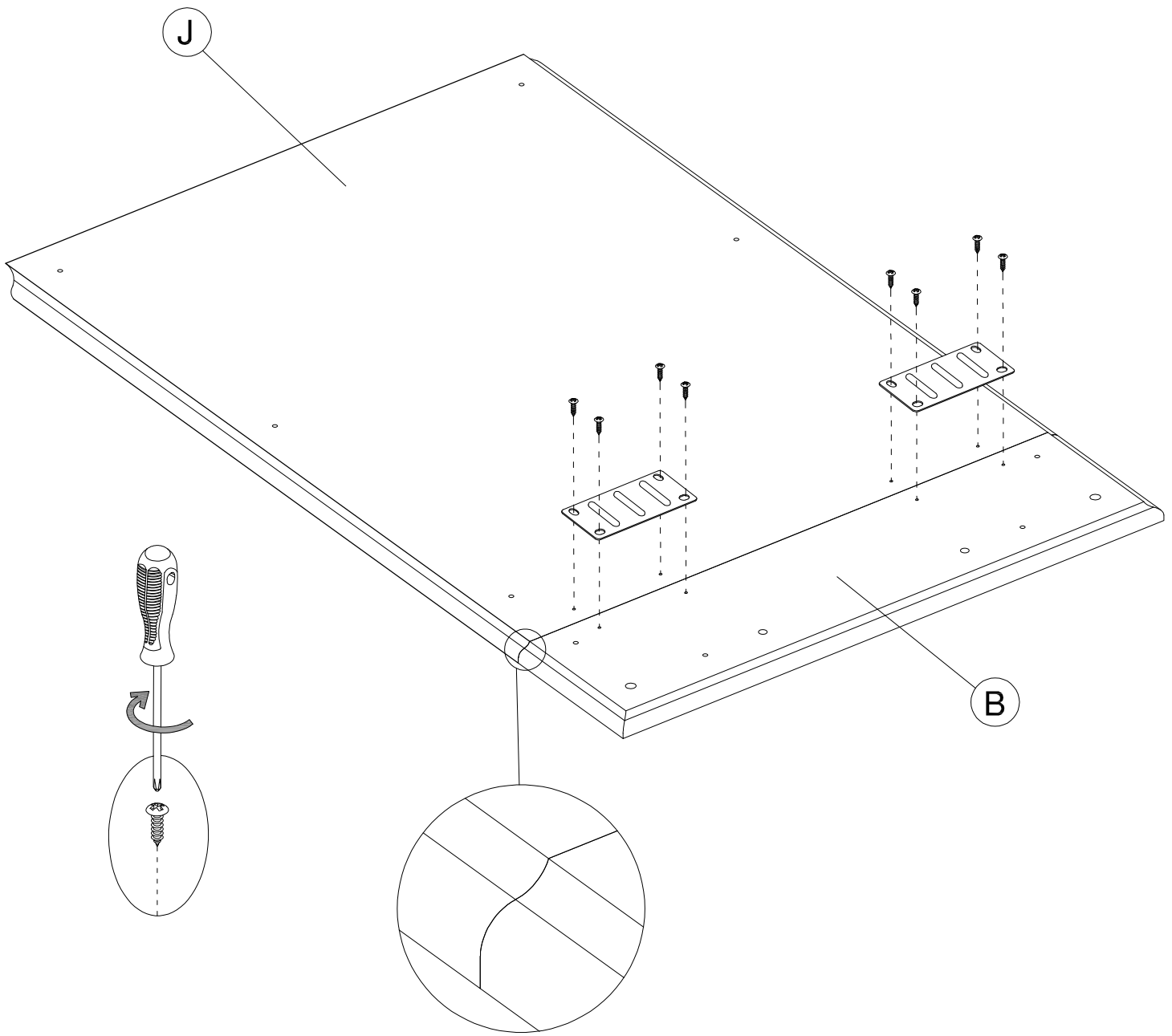
H39922



[2]

#10 x 1/2"

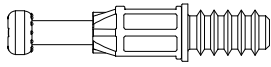
Strap



STEP 13

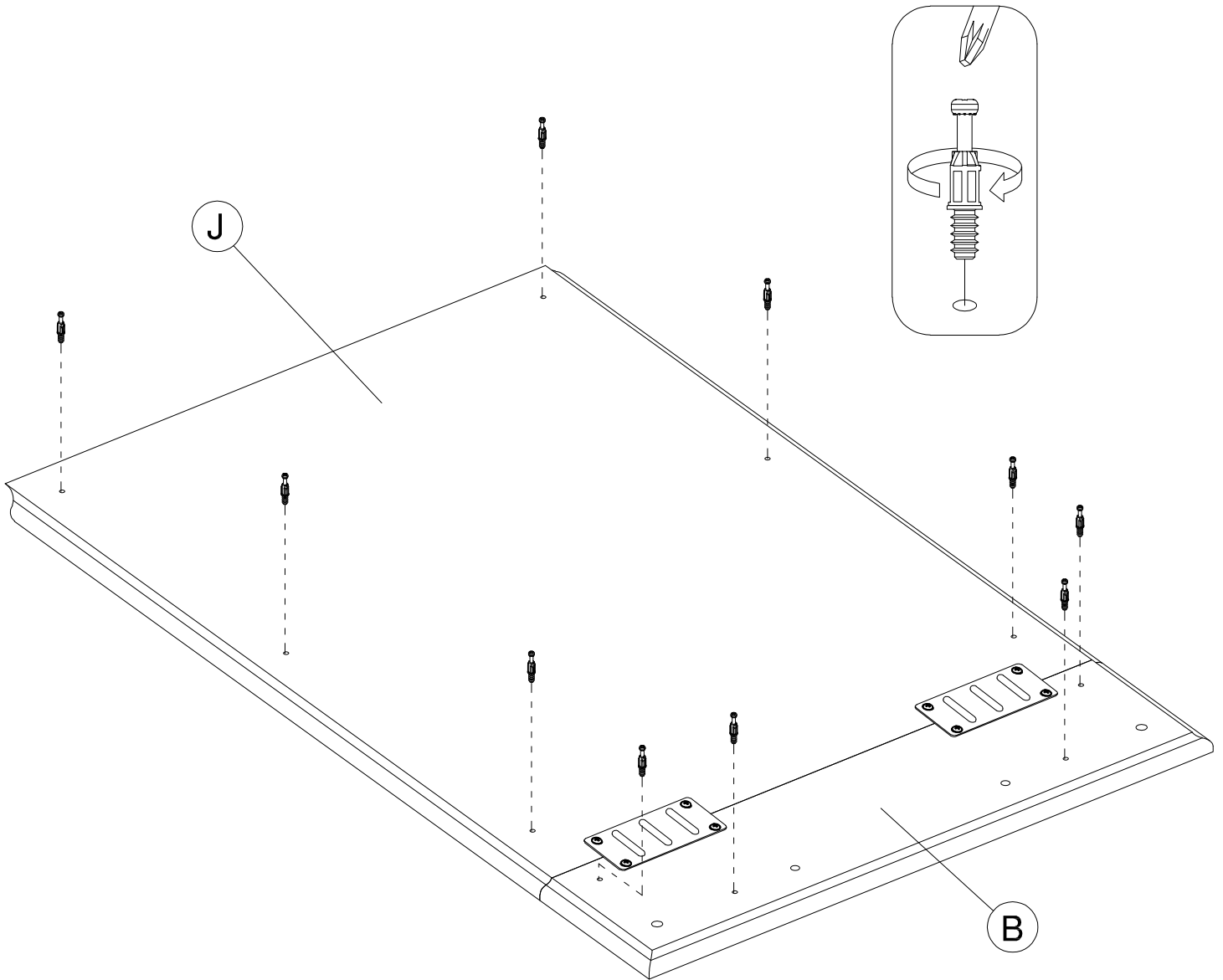
Install Fasteners

H72988



[10]

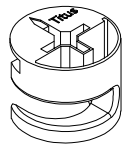
KD Bolt



STEP 14

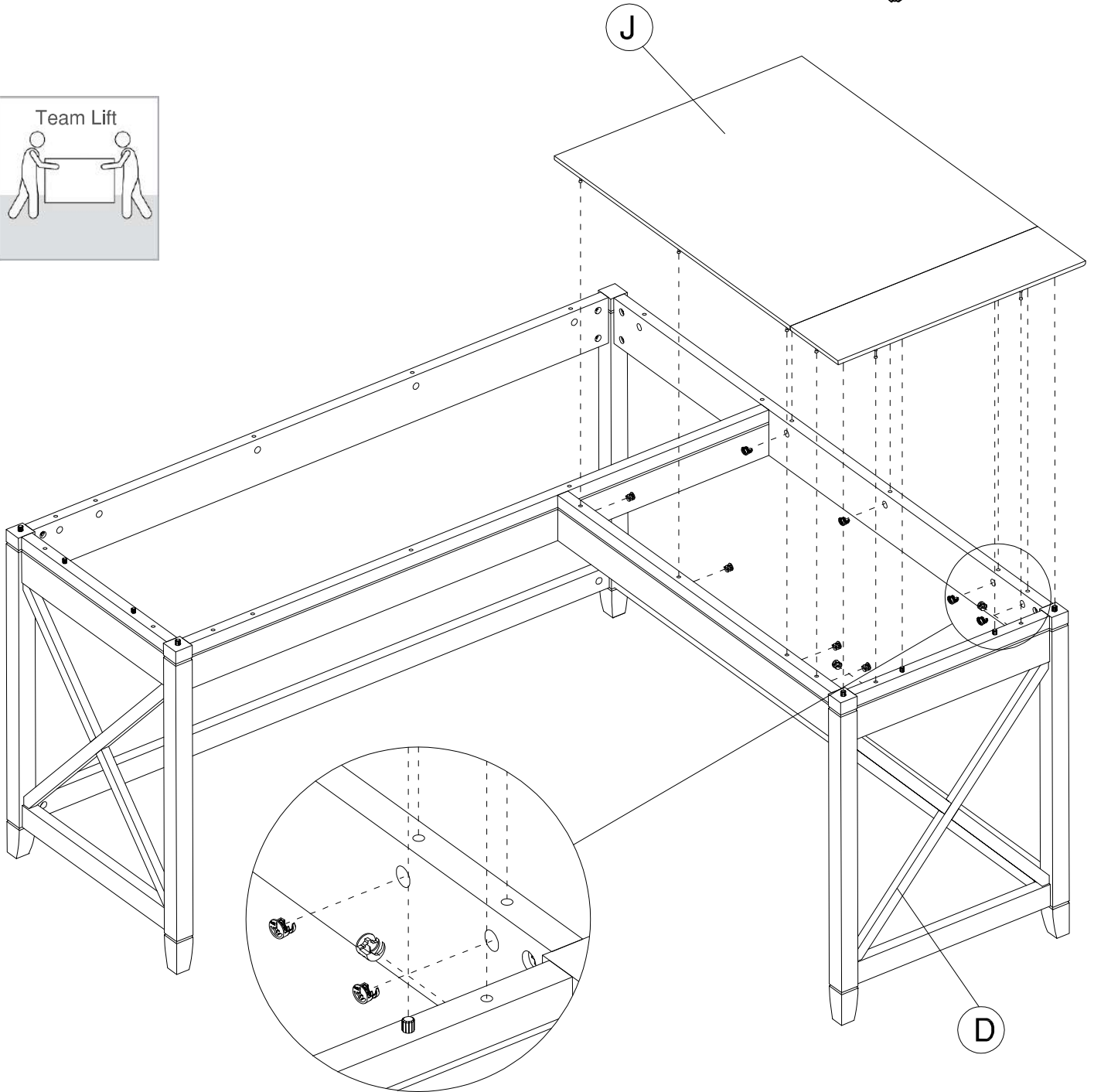
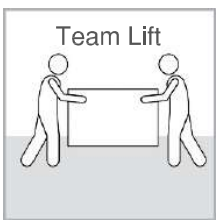
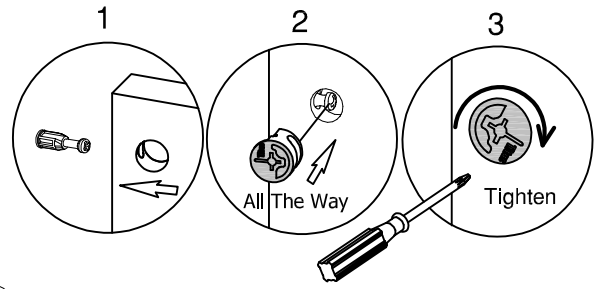
Assemble Panels

H181468



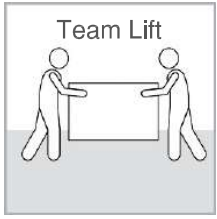
KD Cam

[10]

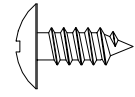


STEP 15

Assemble Panels

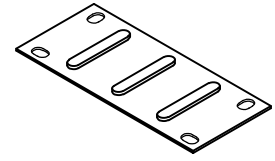


H35251



[8]

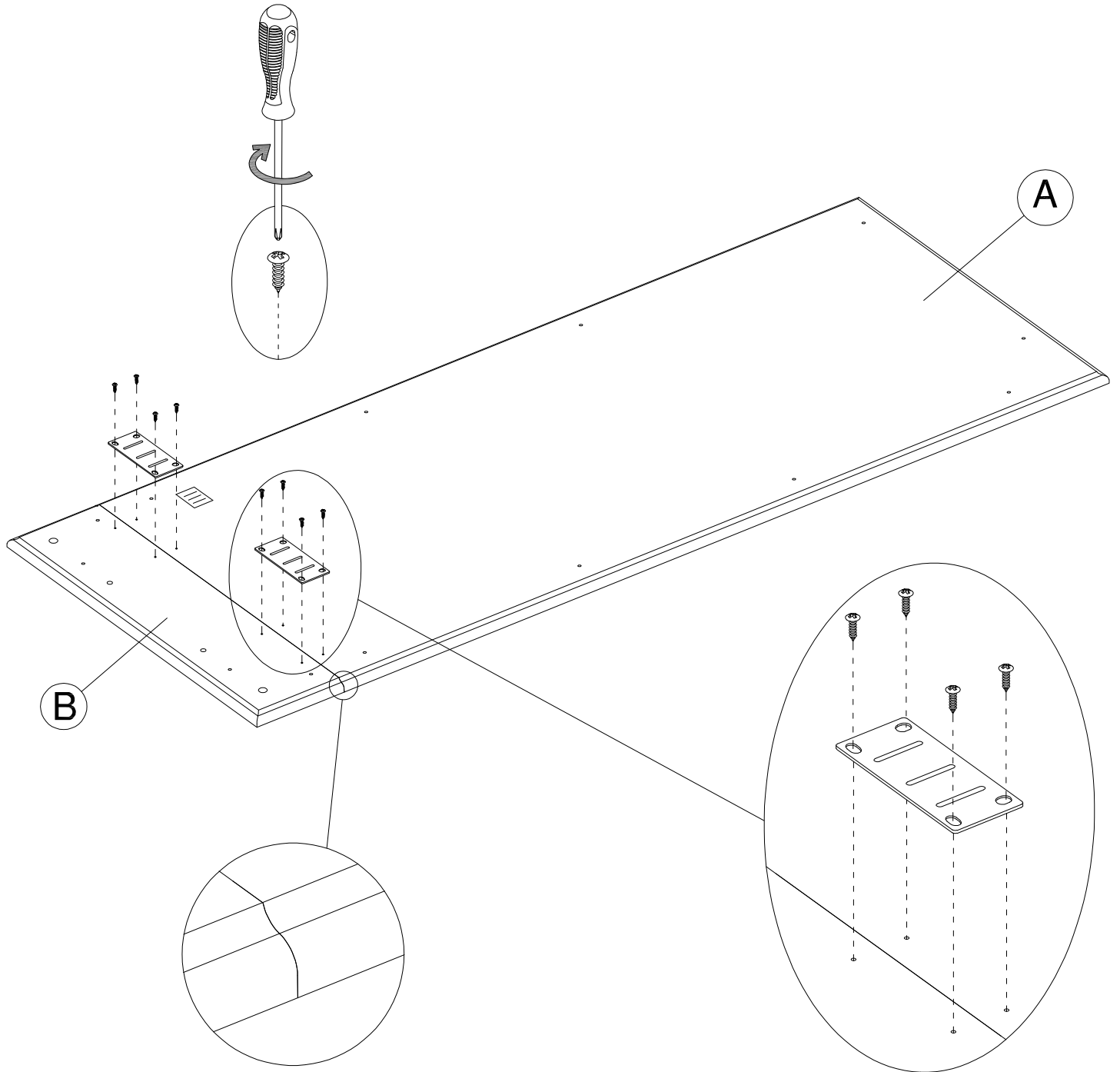
H39922



[2]

#10 x 1/2"

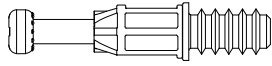
Strap



STEP 16

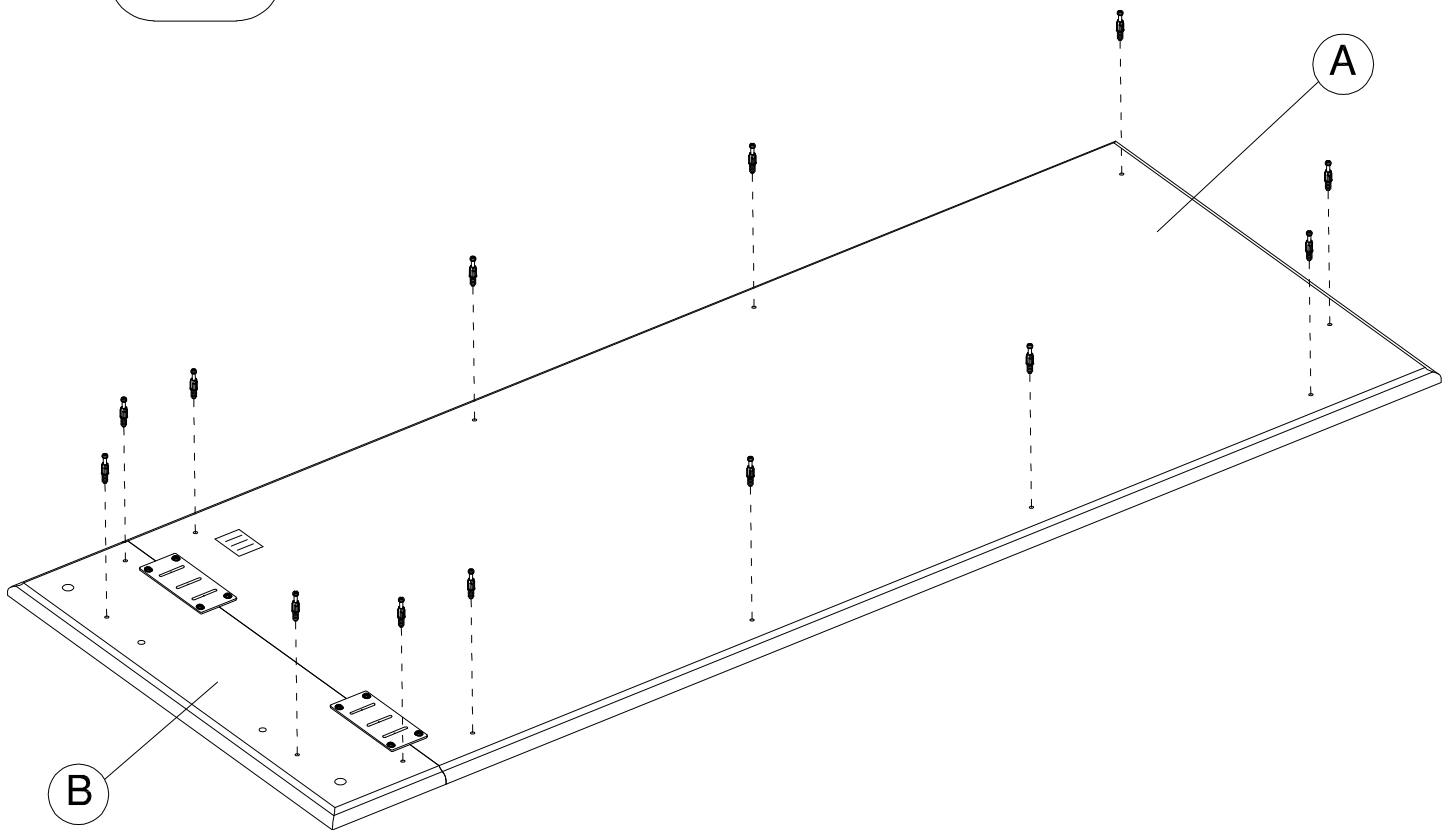
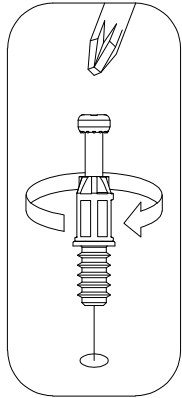
Install Fasteners

H72988



[13]

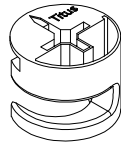
KD Bolt



STEP 17

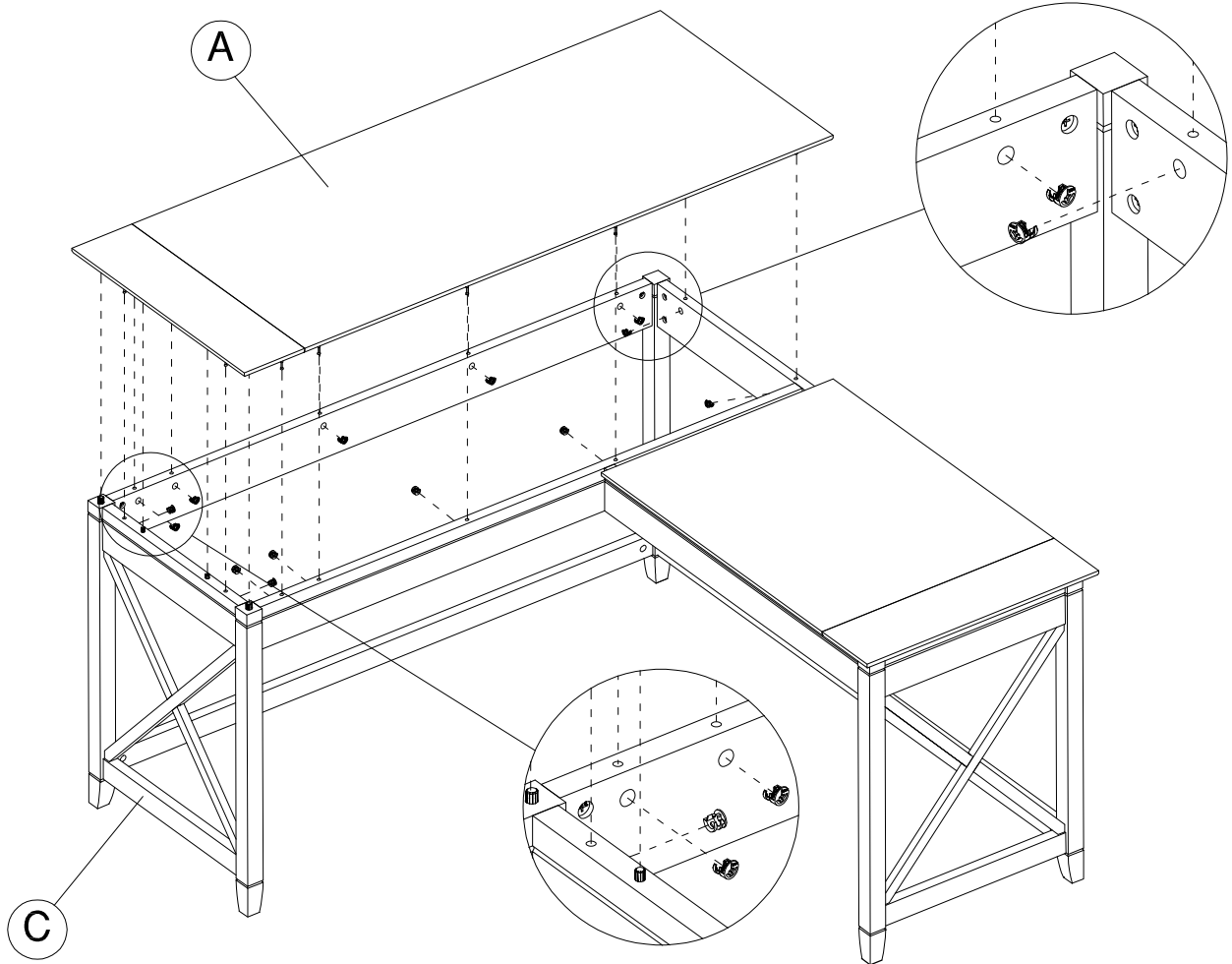
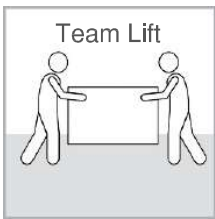
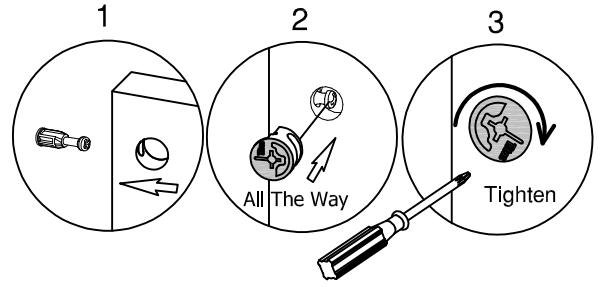
Assemble Panels

H181468



KD Cam

[13]



STEP 18

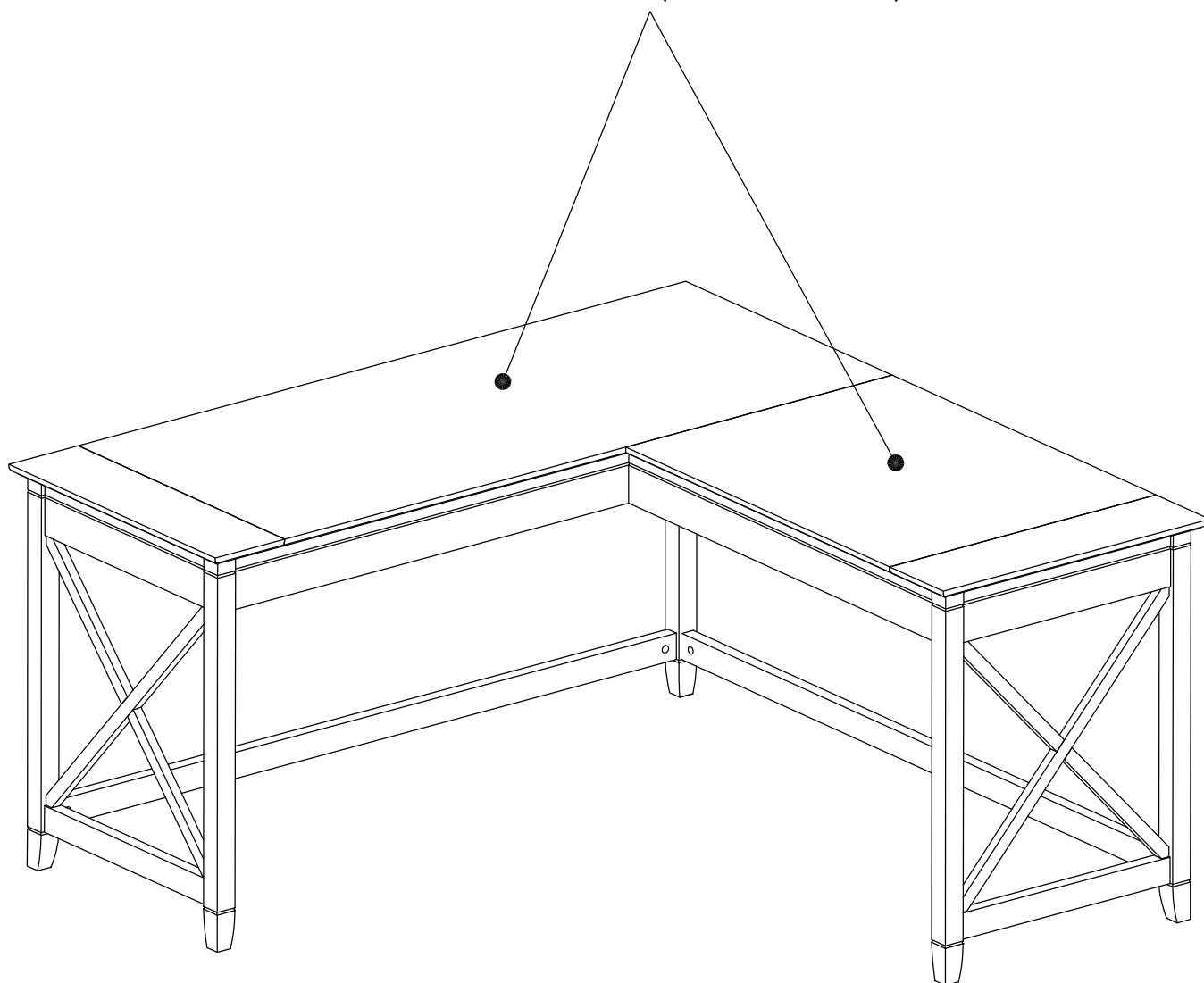
Maximum Loading and Cleaning

Gently clean surfaces with a damp sponge eraser.

MAXIMUM WEIGHT: 200 LBS (90.72 KG)

PESO MÁXIMO: 200 LIBRAS (90.72 KILOGRAMO)

POIDS MAXIMUM: 200 LIVRES (90.72 KILOGRAMME)



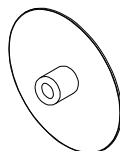
Congratulations! You are all done. If you have any questions or concerns, please call.

PARTS LIST

KWD160GH

A [1] W194633	G [1] W194639
B [2] W204805	H [1] W194640
C [1] S204806	I [1] W194641
D [1] S204807	J [1] W194642
E [1] W194637	K [1] W194643
F [2] W194638	

H200205



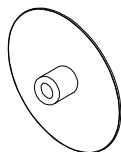
[8]

Cover Cap

KWD160RCP

A [1] W194644	G [1] W194650
B [2] W204808	H [1] W194651
C [1] S204809	I [1] W194652
D [1] S204810	J [1] W194653
E [1] W194648	K [1] W194654
F [2] W194649	

H200199



[8]

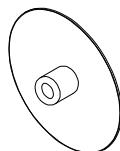
Cover Cap

PARTS LIST

KWD160LW

A [1]	W194655	G [1]	W194661
B [2]	W204811	H [1]	W194662
C [1]	S204812	I [1]	W194663
D [1]	S204813	J [1]	W194664
E [1]	W194659	K [1]	W194665
F [2]	W194660		

H200203



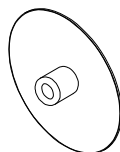
[8]

Cover Cap

KWD160CG

A [1]	W194666	G [1]	W194672
B [2]	W204814	H [1]	W194673
C [1]	S204815	I [1]	W194674
D [1]	S204816	J [1]	W194675
E [1]	W194670	K [1]	W194676
F [2]	W194671		

H186180



[8]

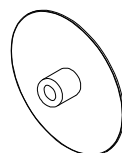
Cover Cap

PARTS LIST

KWD160G2W

A [1]	W194677	G [1]	W194683
B [2]	W204817	H [1]	W194684
C [1]	S204818	I [1]	W194685
D [1]	S204819	J [1]	W194686
E [1]	W194681	K [1]	W194687
F [2]	W194682		

H170595



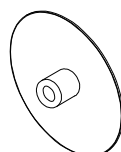
[8]

Cover Cap

KWD160WG

A [1]	W188473	G [1]	W188476
B [2]	W204820	H [1]	W188477
C [1]	S204821	I [1]	W188478
D [1]	S204822	J [1]	W188479
E [1]	W188474	K [1]	W188480
F [2]	W188475		

H180730



[8]

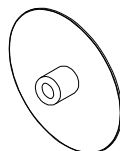
Cover Cap

PARTS LIST

KWD160BC

A [1] W190356	G [1] W190359
B [2] W204823	H [1] W190360
C [1] S204824	I [1] W190361
D [1] S204825	J [1] W190362
E [1] W190357	K [1] W190363
F [2] W190358	

H159346



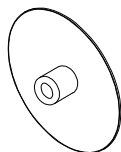
[8]

Cover Cap

KWD160WT

A [1] W190345	G [1] W190348
B [2] W204826	H [1] W190349
C [1] S204827	I [1] W190350
D [1] S204828	J [1] W190351
E [1] W190346	K [1] W190352
F [2] W190347	

H192368



[8]

Cover Cap